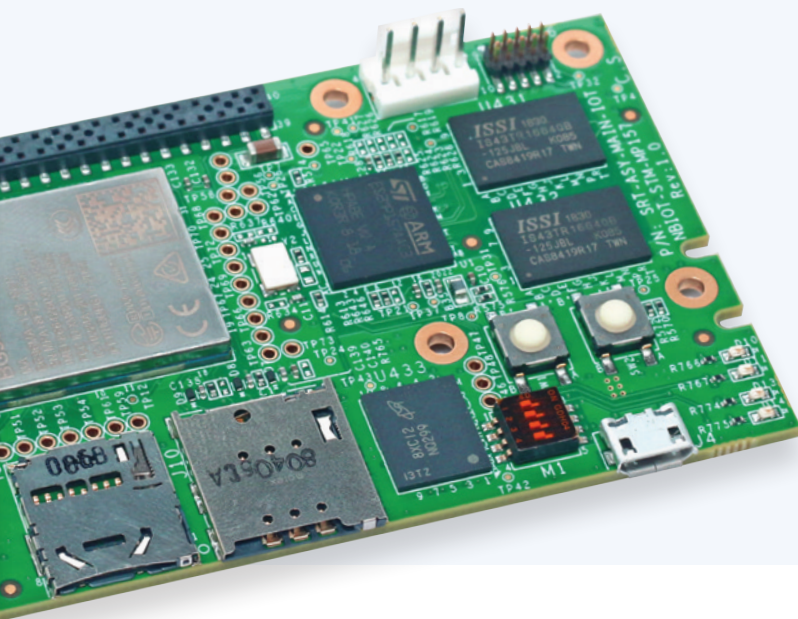


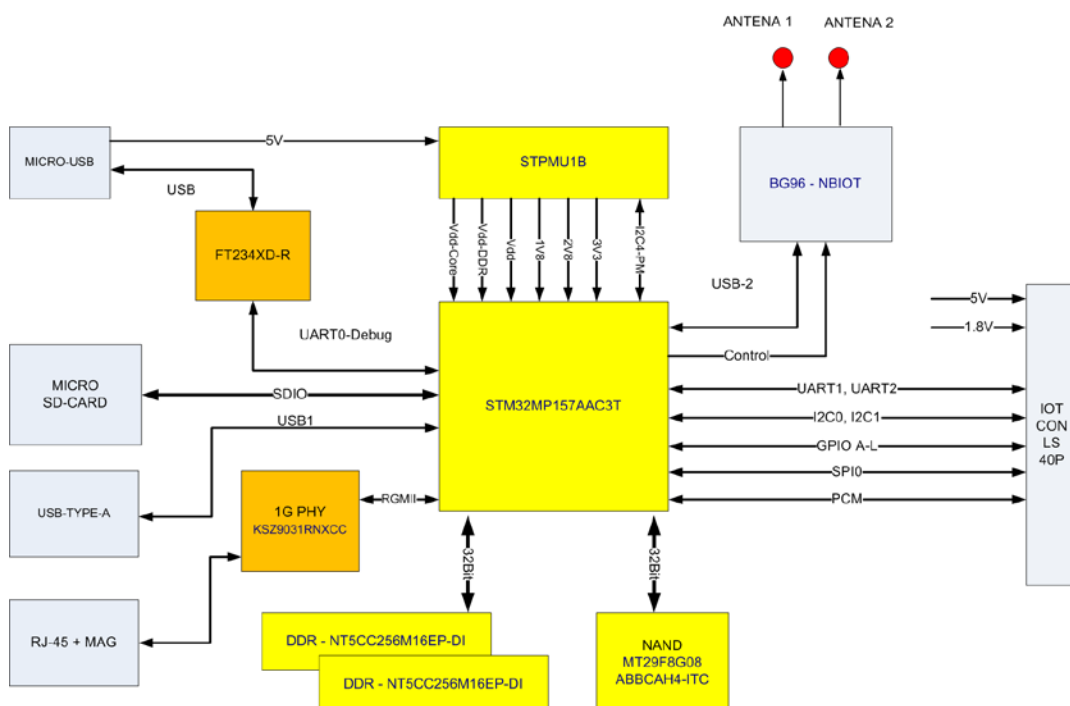
Shimatech launches its NEW 96Boards IoT solution based on ST STM32MP157 MCU + QUECTEL BG96 NB-IOT modem



The Board is 96Boards IoT Edition Extended Compatible (IE extended).

Full support for 96Boards IoT Edition (IE) Low Speed expansion connector.

SRT-96B-MAIN-IOT-NBIOT-STM-MP157 - Block Diagram



Shiratech launches its NEW 96Boards IoT solution based on ST STM32MP157 MCU + QUECTEL BG96 NB-IOT modem

→ STM32MP157 MAIN FEATURES

CORE

- 32-bit dual-core Arm® Cortex®-A7
Up to 650 MHz (Up to 4158 CoreMark®)
L1 32 Kbyte I / 32 Kbyte D for each core
256 Kbyte unified level 2 cache
Arm® NEON™ and Arm® TrustZone®
- 32-bit Arm® Cortex®-M4 with FPU/MPU
Up to 200 MHz (Up to 673 CoreMark®)

MEMORY

- External DDR memory – DDR3 – 256M X 32Bit
- 708 Kbyte of internal SRAM: 256 KB of AXI SYSRAM + 384 KB of AHB SRAM + 64 KB of AHB SRAM in backup domain and 4 KB of SRAM in backup domain
- NAND Flash - SLC NAND Flash Parallel
1.8V 8Gbit 1G x 8Bit 63-Pin VFBGA

SECURITY

- Secure boot, TrustZone® IPs, active tamper

CONNECTIVITY

- On Board Camera DSMI 12Bit interface
- JTAG interface – ST LINK JTAG Interface
- 1 x 10/100/1000 Ethernet based on KSZ9031RNX Microchip Phy
- 2 x USB2 interfaces (One for External Connector, One for BG96 Modem)
- 1 x Uart (Via FTDI & Micro USB interface)
- 1 x SD interface

- Full 96 IOT LS connector Interface (1.8V interface)
 - 2 x UART
 - 2 x I2C
 - GPIO Support A-L
 - 1 x SPI
 - 1 x PCM
- BG96 (NB-IOT Modem) – Interface
 - 2 x Control lines
 - 1 x USB Interface

→ BG96 MAIN FEATURES

CORE

- Quectel BG96 LTE CAT-M1 Modem
- Modem speed 300Kbps DL / 375Kbps UL
- Built in GPS
- Industrial grade
- Low Power
- Compatible with 96Boards CE and EE boards
- I2C, UART, GPIO for modem operation

POWER

- Input power 5V

MECHANICAL

- 96Boards IOT Edition Form Factor -
- Standard SMARC form factor:
85mmx 54mm

