

Shiratech LTE CAT-M1 Mezzanine for 96Boards

Industrial IoT LTE Modem and GPS Mezzanine for 96Boards

→ MAIN ATTRIBUTES

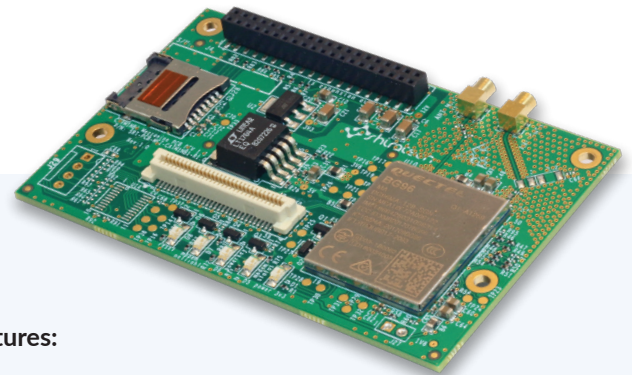
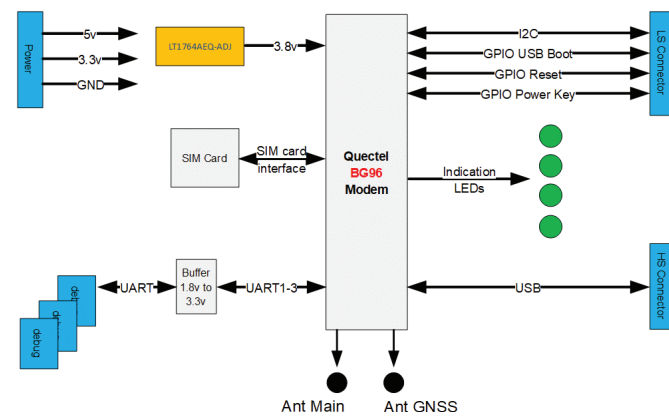
Connects 96Boards to LTE cellular networks

Based on Quectel BG96 LTE CAT-M1 Modem

Low Power

Compatible with 96Boards CE and EE

→ BLOCK DIAGRAM



→ Shiratech LTE CAT-M1 Mezzanine for 96Boards is hosting Quectel BG96 LTE CAT-M1 modem enabling low power connectivity to cellular networks. A built in Global Positioning System (GPS) device adds location and navigation to your application. The mezzanine enables rapid development and prototyping of industrial grade low power IoT applications requiring LTE connectivity.

The Mezzanine is compatible with 96Boards Consumer Edition (CE) and Enterprise Edition (EE) boards.

Main features:

- Quectel BG96 LTE CAT-M1 Modem
- Modem speed 300Kbps DL / 375Kbps UL
- Built in GPS
- Industrial grade
- Low Power
- Compatible with 96Boards CE and EE boards
- I2C, UART, GPIO for modem operation