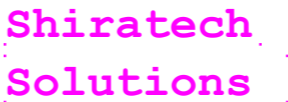


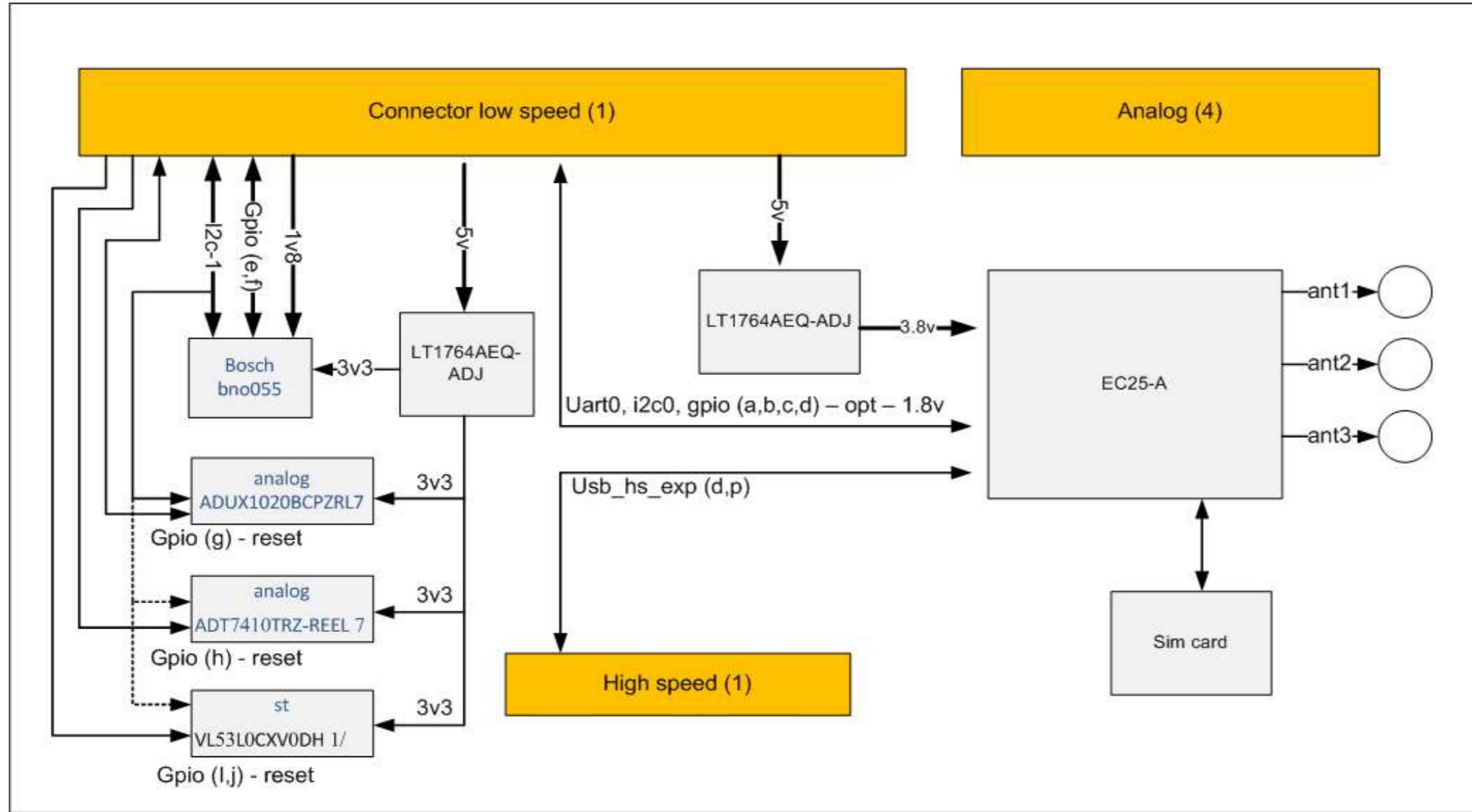
Schematics	Revision	Date	Release Information
SRT-PCB-MEZ-LTE-R3_1	A	jan 12 2018	first version release

01

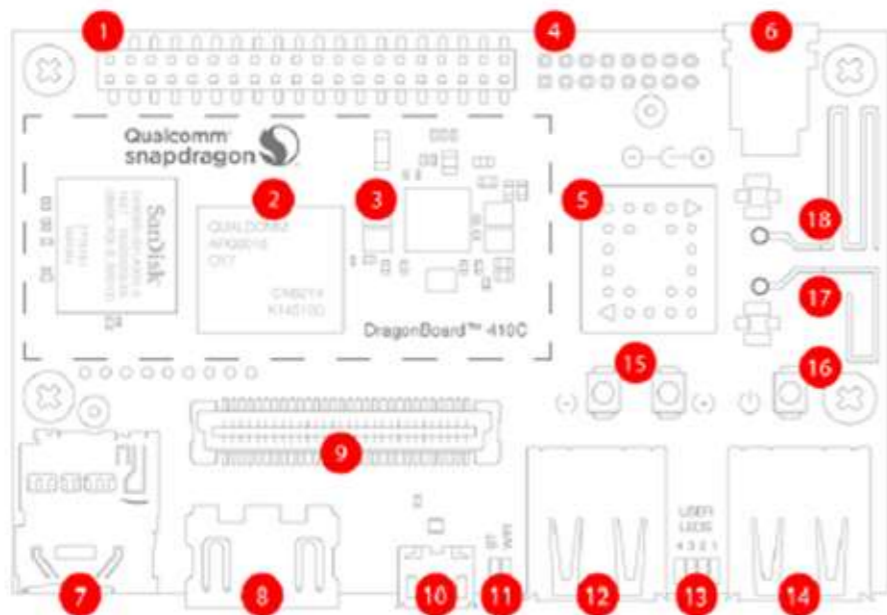
- 01** Revision History
- 02** Block Diagram
- 03** DXF
- 04** Stuck Up
- 05** Interafce_in_out
- 06** MODEM - 1
- 07** MODEM - 2
- 08** Sensors
- 09** MISC

	Revision History		
	SRT-PCB-MEZ-LTE-R3_1		
Drawn By Ishay Kokavka	Size A3	CAGE Code <Cage Code>	DWG NO A
Saturday, September 29, 2018	Scale	Sheet	1 of 9

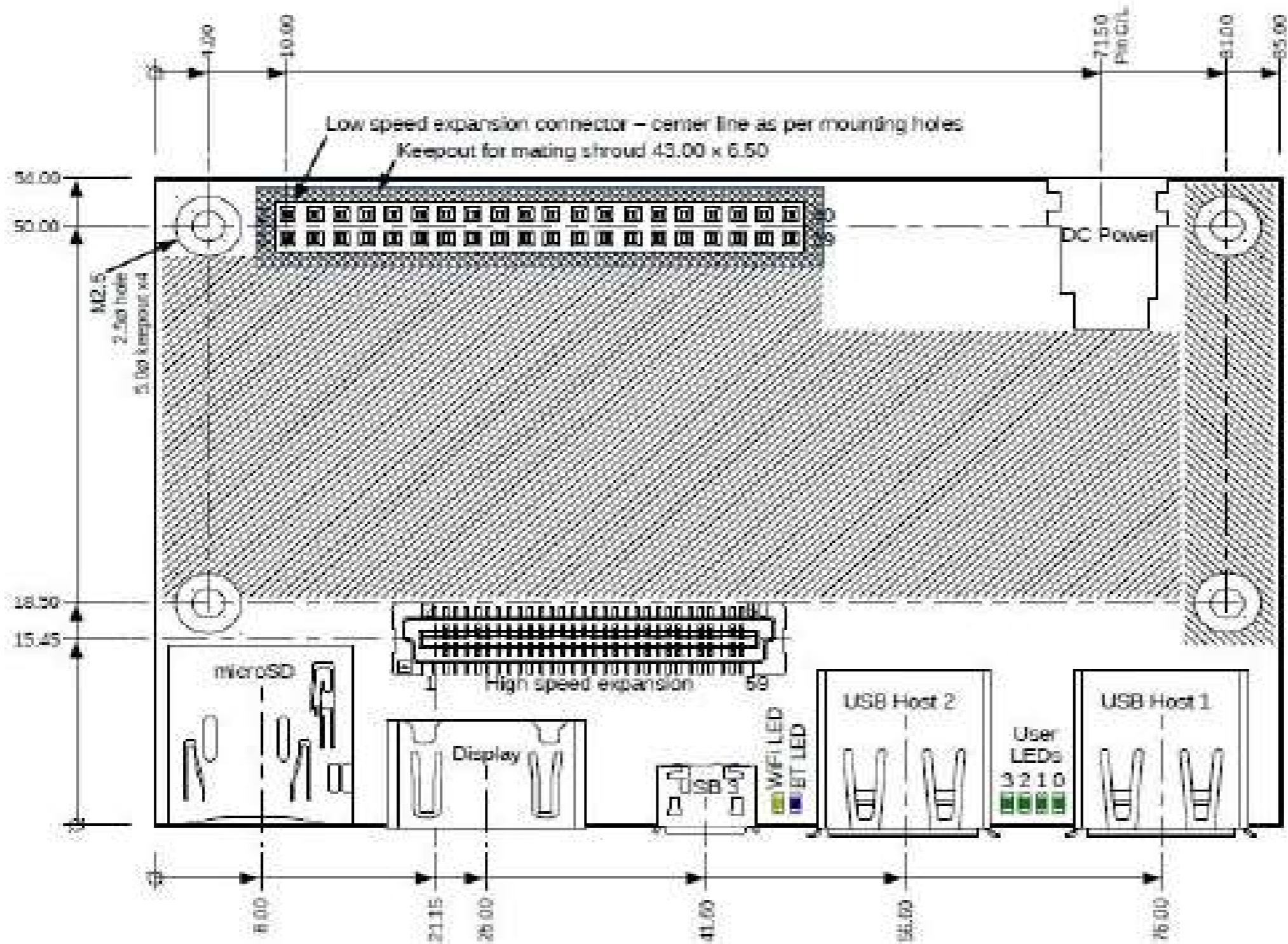
New cellular balcony



Dragon bord



Shiratech Solutions	Block Diagram		
	SRT-PCB-MEZ-LTE-R3_1		
Drawn By Ishay Kokavka	Size A3	CAGE Code <Cage Code>	DWG NO A
Saturday, September 29, 2018	Scale	Sheet 2 of 9	Rev A

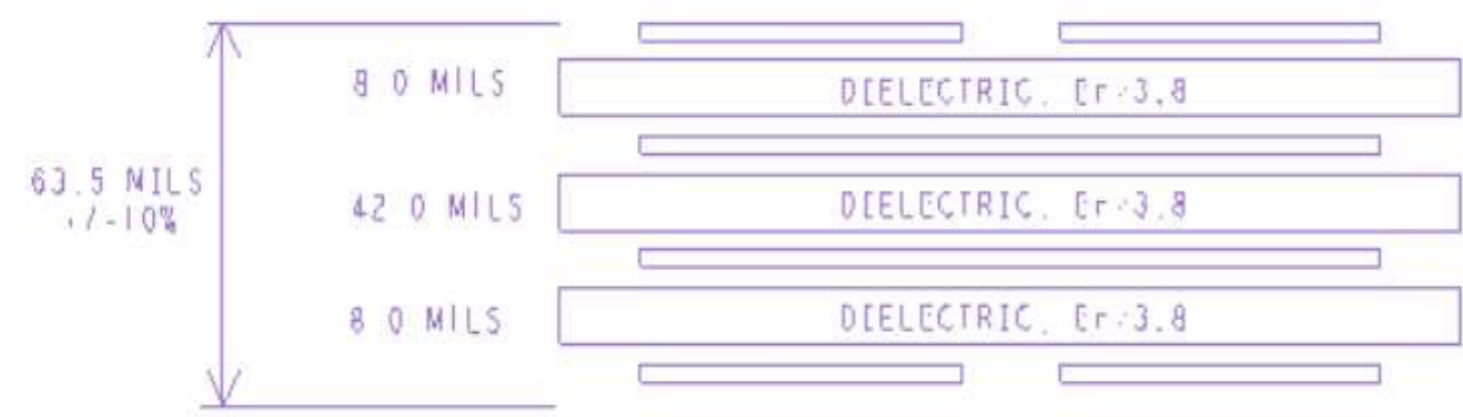


Shiratech Solutions	DXF		
	SRT-PCB-MEZ-LTE-R3_1		
Drawn By Ishay Kokavka	Size A3	CAGE Code <Cage Code>	DWG NO A
Saturday, September 29, 2018	Scale	Sheet 3 of 9	Rev A

number of layers 4
 rf on top 50ohm (for 15mil)
 board thickness 1.6mm

- 1) cs - signal
- 2) plan - gnd
- 3) plan - power
- 4) ps - signal

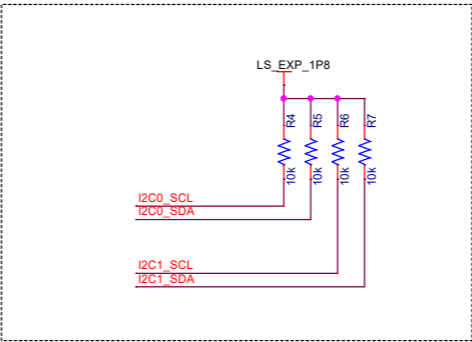
4 LAYERS CROSS SECTION
 AND FILM SET



- 1. 0.5 OZ. CU. TOP
 Z0=50 OHM +/-5% WIDTH=15.9 MILS
 Zdiff=90 +/-5% WIDTH=11 MIL DISTANCE =4.48 MIL
- 2. 1.0 OZ. CU. GND
- 3. 1.0 OZ. CU. PWR
- 4. 0.5 OZ. CU. BOTTOM

RECOMMENDED: STACKUP. FINAL STACKUP TO BE DETERMINED BY VENDOR

Shiratech Solutions	Stuck Up		
	SRT-PCB-MEZ-LTE-R3_1		
Drawn By Ishay Kokavka	Size A3	CAGE Code <Cage Code>	DWG NO A
Saturday, September 29, 2018	Scale	Sheet 4 of 9	Rev A



LS EXPANSION CONNECTOR

HS EXPANSION CONNECTOR

from galcom board

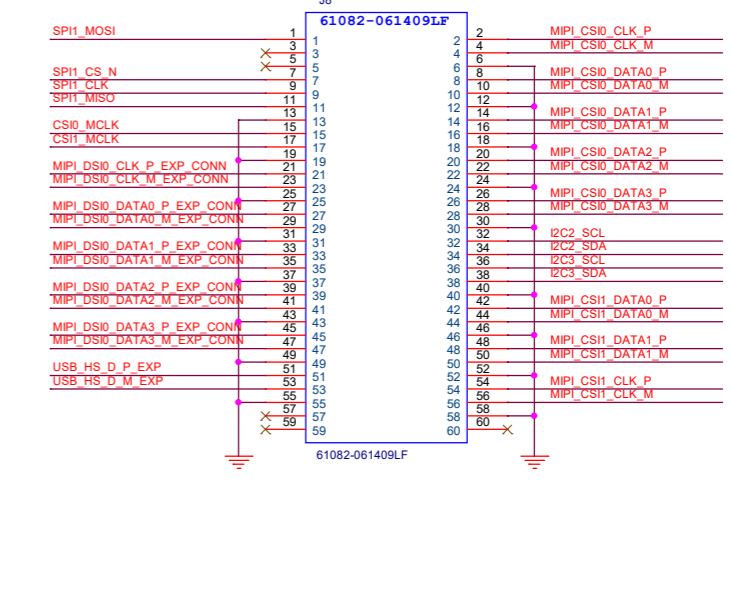
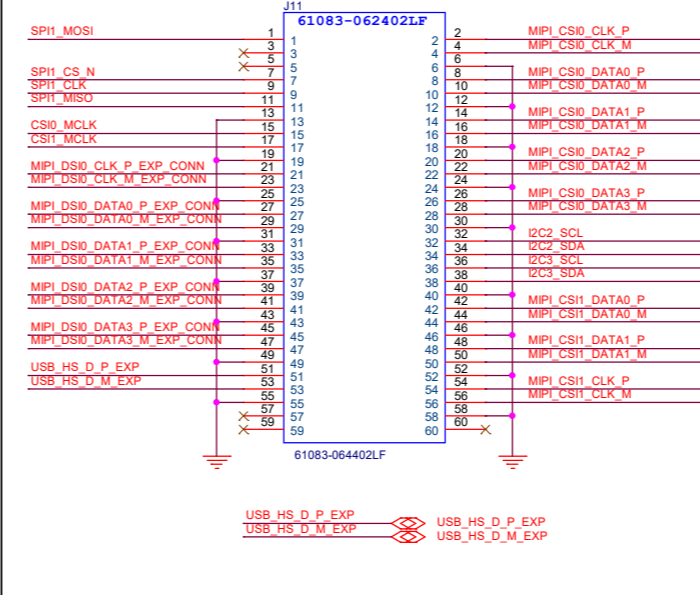
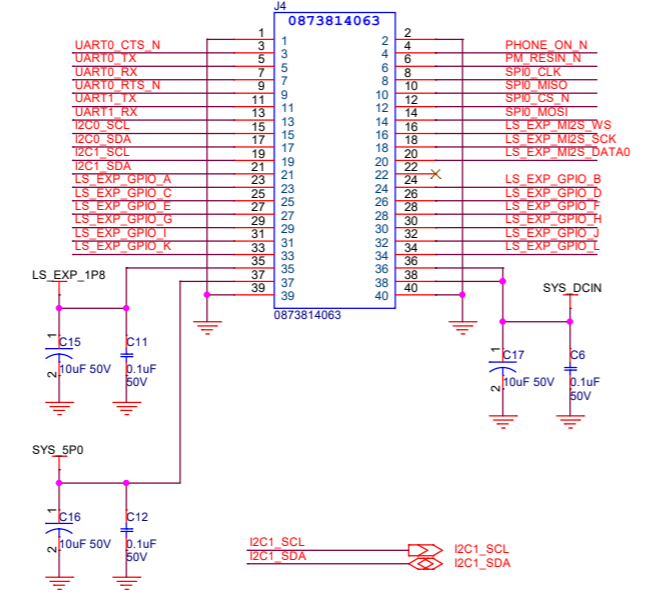
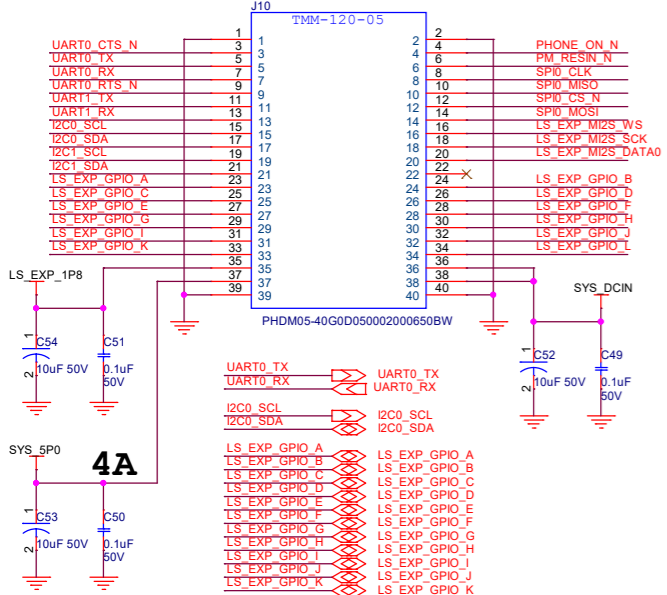
to next balcony

from galcom board

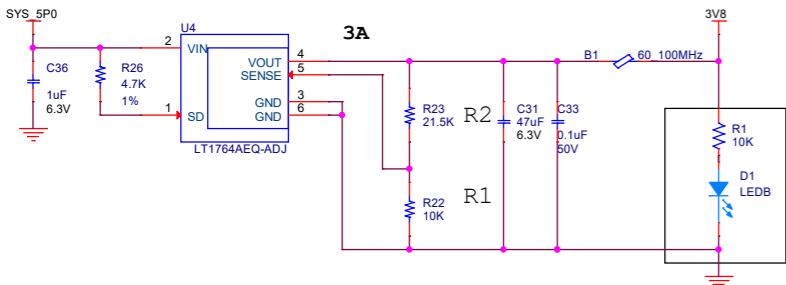
to next balcony

male connector (ps)

femal connector (cs)

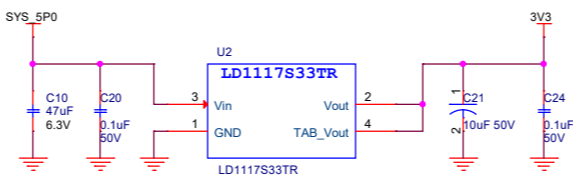


3.8V (2A Peak)

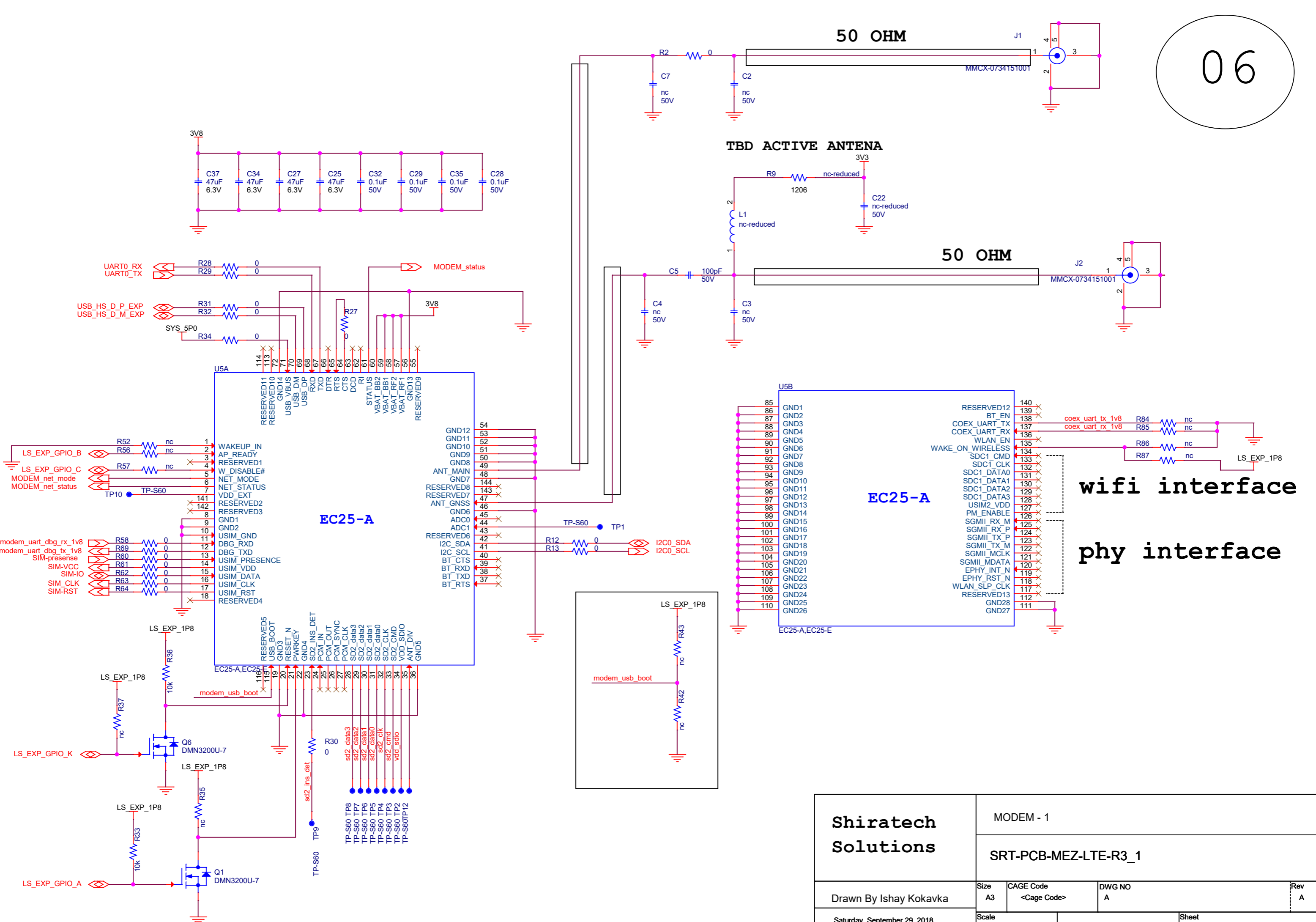


$V_{out} = 1.21 (1 + R2/R1)$

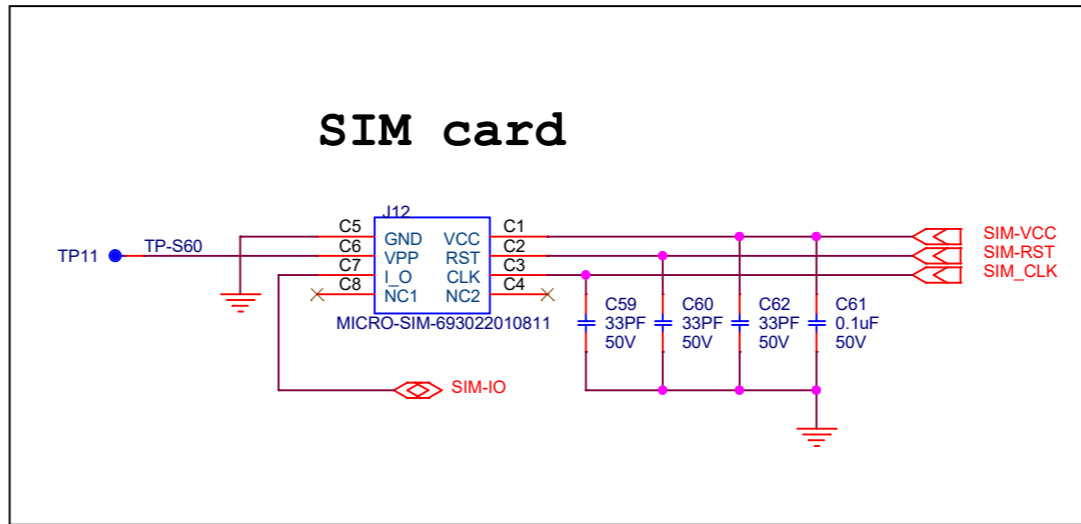
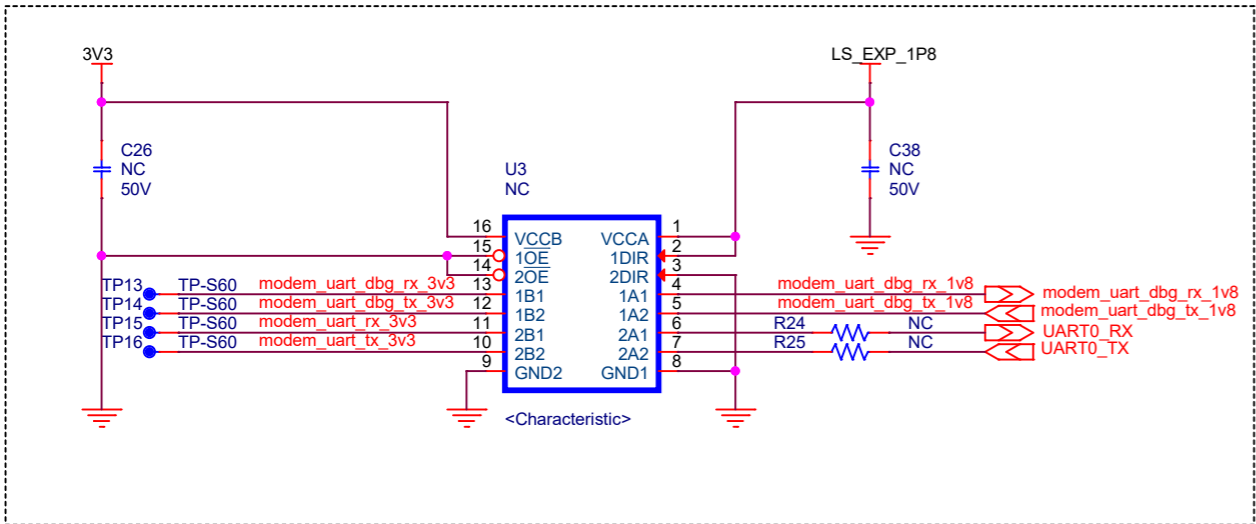
3V3-REG - 0.8A



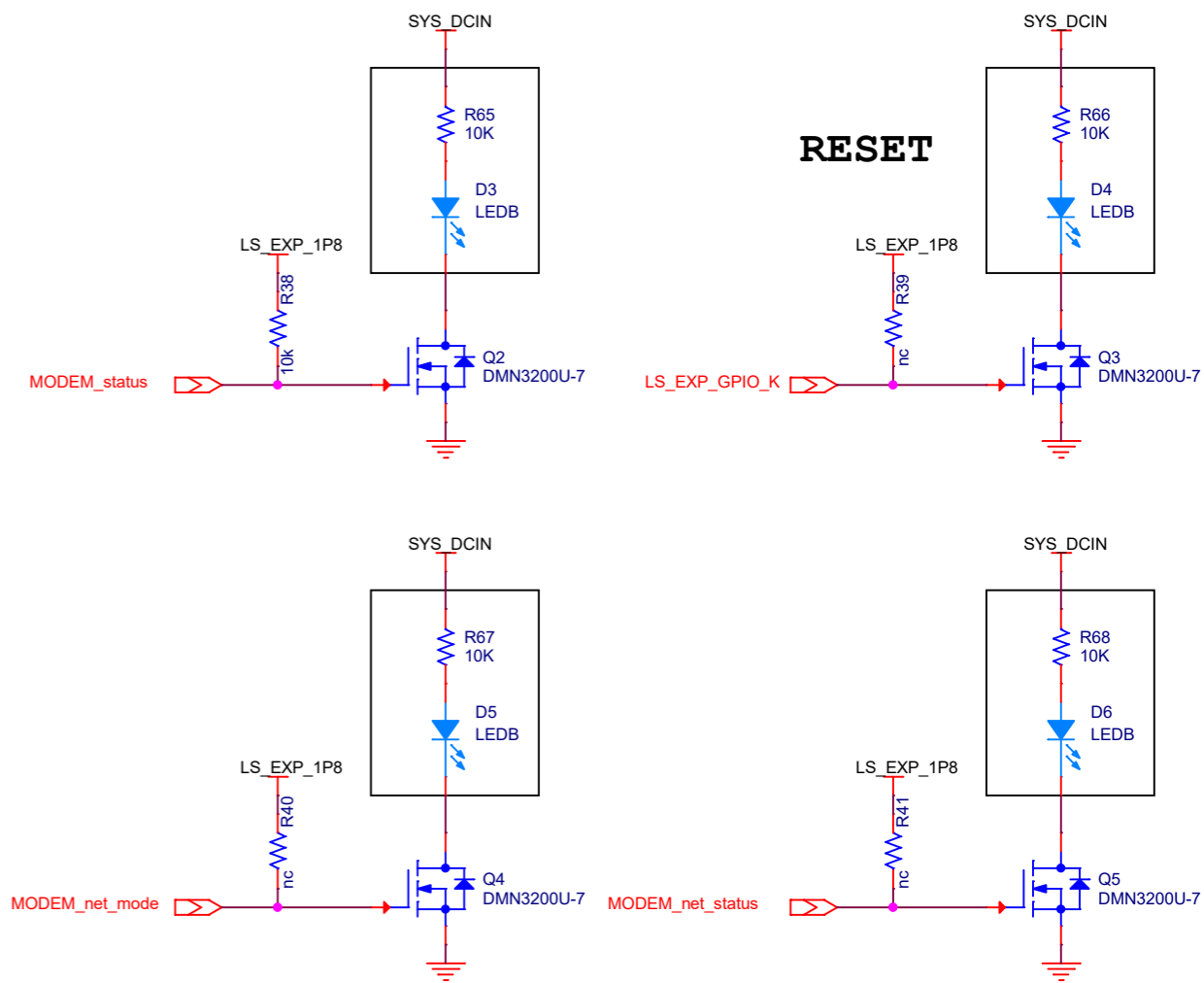
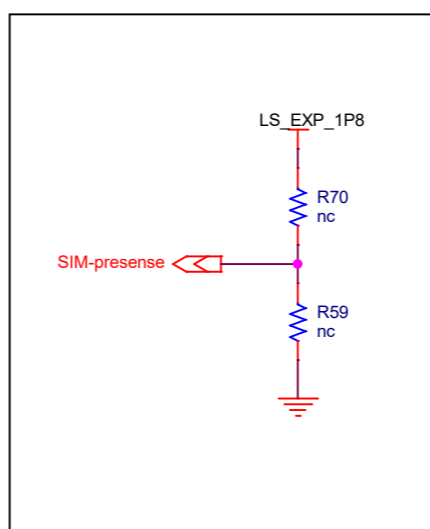
Shiratech Solutions	Interface_in_out			
	SRT-PCB-MEZ-LTE-R3_1			
Drawn By Ishay Kokavka	Size A2	CAGE Code <Cage Code>	DWG NO A	Rev A
Saturday, September 29, 2018	Scale		Sheet 5 of 9	



Shiratech Solutions	MODEM - 1			
	SRT-PCB-MEZ-LTE-R3_1			
Drawn By Ishay Kokavka	Size A3	CAGE Code <Cage Code>	DWG NO A	Rev A
Saturday, September 29, 2018	Scale		Sheet 6 of 9	

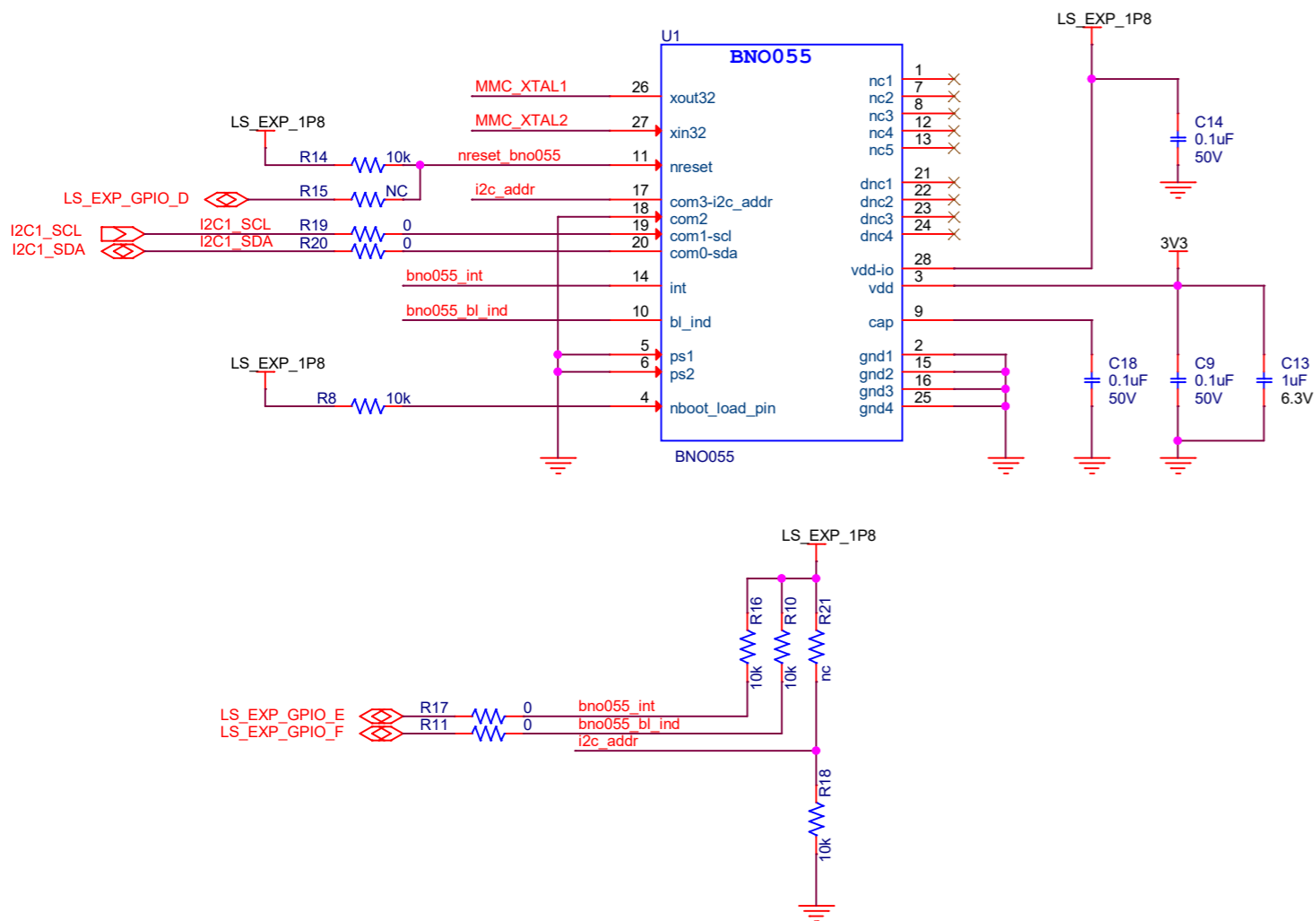
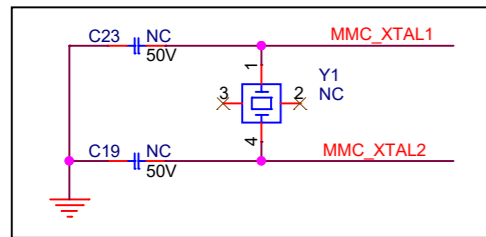


07



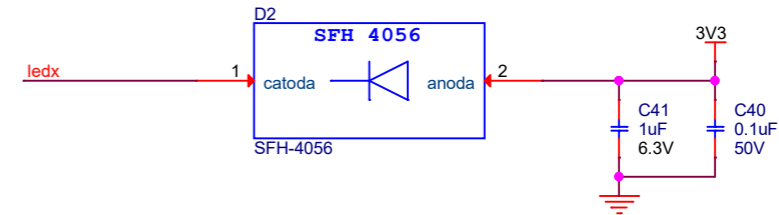
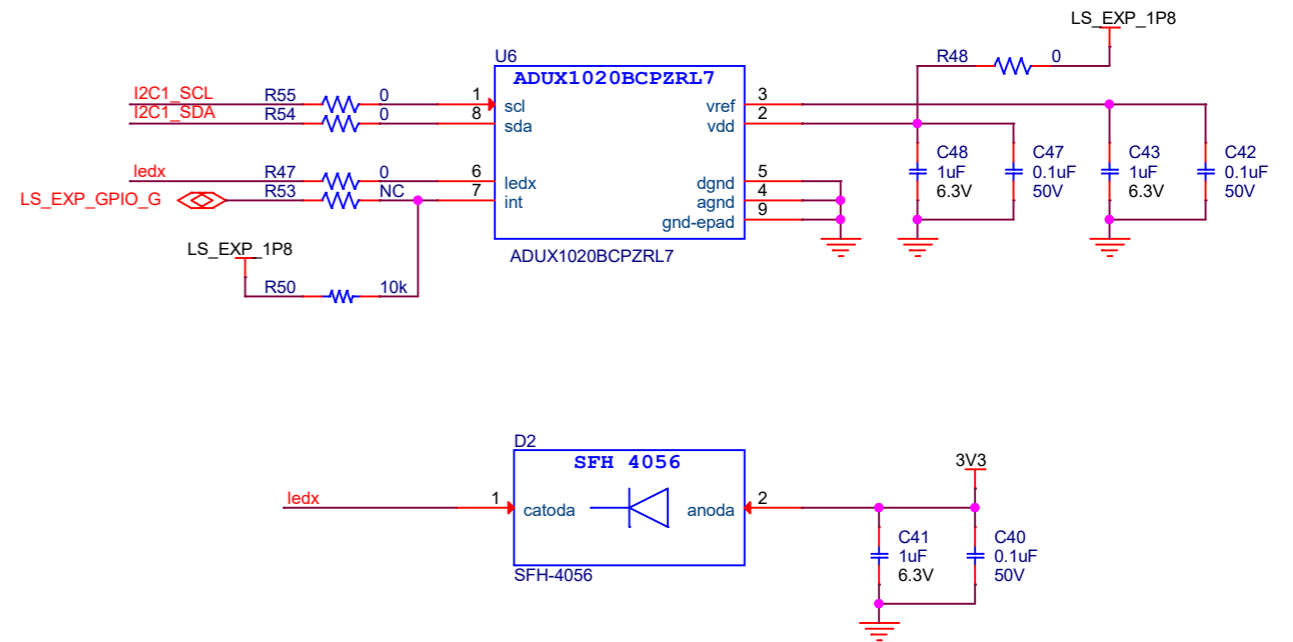
Shiratech Solutions	MODEM - 2		
	SRT-PCB-MEZ-LTE-R3_1		
Drawn By Ishay Kokavka	Size A3	CAGE Code <Cage Code>	DWG NO A
Saturday, September 29, 2018	Scale	Sheet 7 of 9	Rev A

bno055

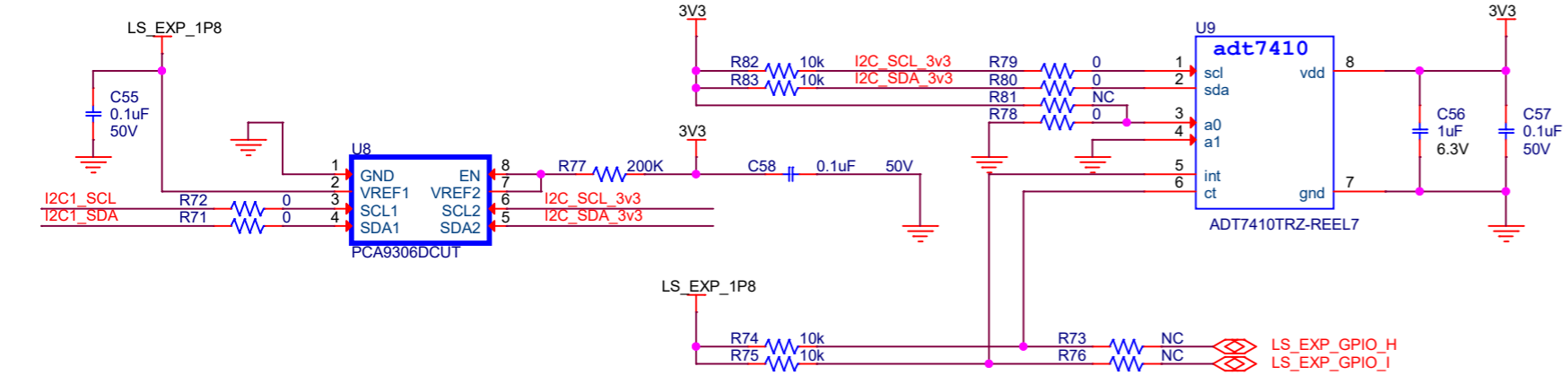


ADUX1020

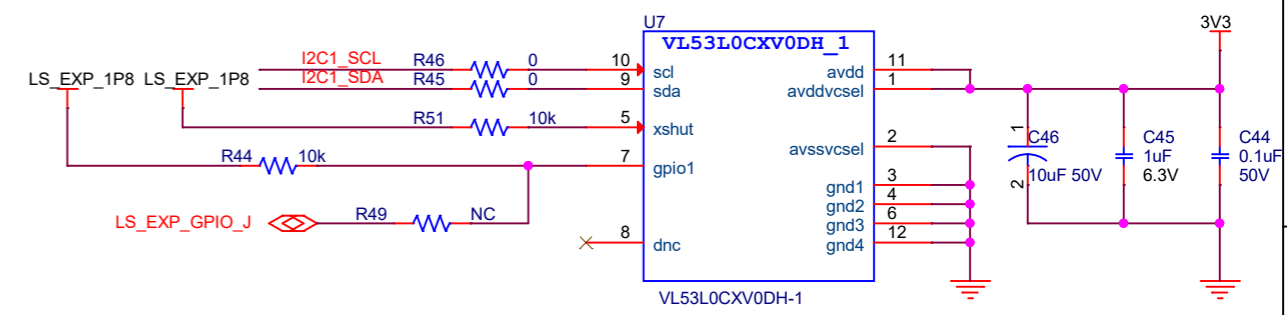
08



adt7410



VL53L0CXV0DH_1



	Sensors			
	SRT-PCB-MEZ-LTE-R3_1			
Drawn By Ishay Kokavka	Size A3	CAGE Code <Cage Code>	DWG NO A	Rev A
Saturday, September 29, 2018	Scale	Sheet 8 of 9		

LEFT FOR MISC AND FUTURE REMARKS

09

Shiratech Solutions	MISC			
	SRT-PCB-MEZ-LTE-R3_1			
Drawn By Ishay Kokavka	Size A3	CAGE Code <Cage Code>	DWG NO A	Rev A
Saturday, September 29, 2018	Scale		Sheet	9 of 9