

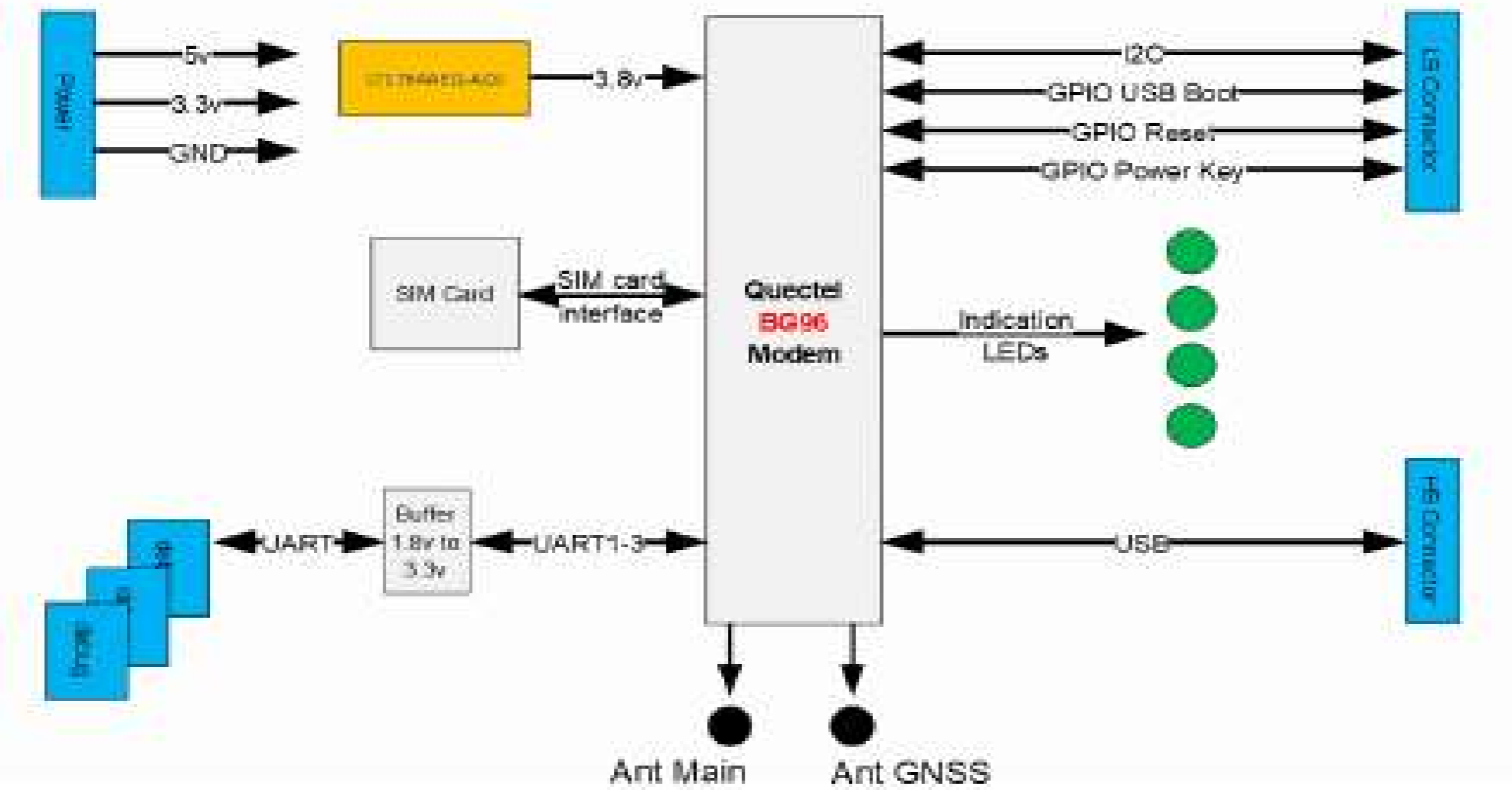
Schematics	Revision	Date	Release Information
SRT-96B-MEZ-CAT1-BG96	A	June 24 2018	first version release

01

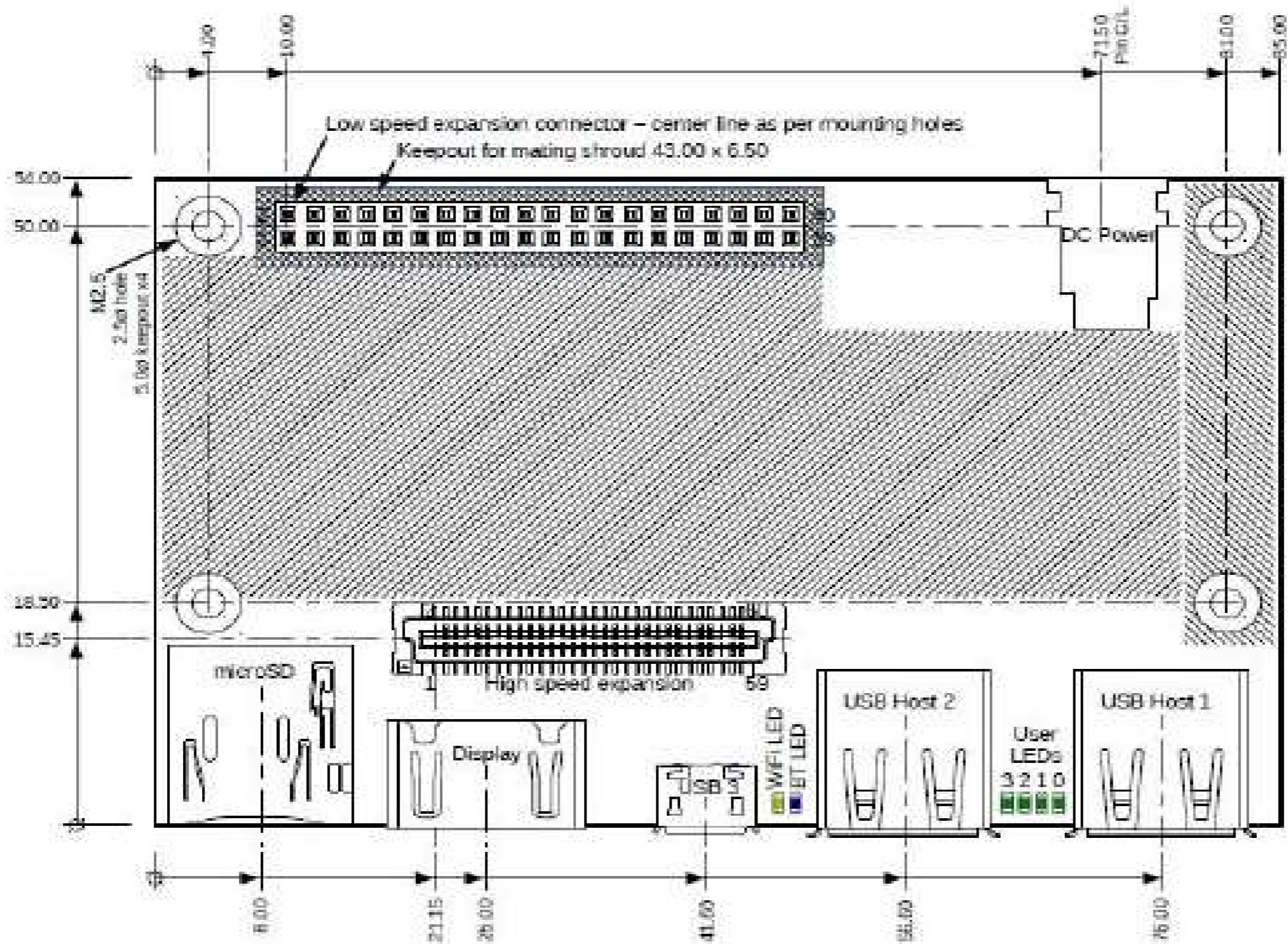
- 01** Revision History
- 02** Block Diagram
- 03** DXF
- 04** Stack Up
- 05** Interface_in_out
- 06** Modem - 1
- 07** Modem - 2
- 08** MISC

Shiratech Solutions	Revision History		
	SRT-96B-MEZ-CAT1-BG96		
Drawn By Ishay Kokavka	Size A3	CAGE Code <Cage Code>	DWG NO A
Sunday, September 30, 2018	Scale	Sheet	1 of 8

96Boards LTE CAT-M1 Mezzanine



Shiratech Solutions	Block Diagram			
	SRT-96B-MEZ-CAT1-BG96			
Drawn By Ishay Kokavka	Size A3	CAGE Code <Cage Code>	DWG NO A	Rev A
Sunday, September 30, 2018	Scale		Sheet 2 of 8	



Shiratech Solutions	DXF		
	SRT-96B-MEZ-CAT1-BG96		
Drawn By Ishay Kokavka	Size A3	CAGE Code <Cage Code>	DWG NO A
Sunday, July 01, 2018	Scale	Sheet 3 of 8	Rev A

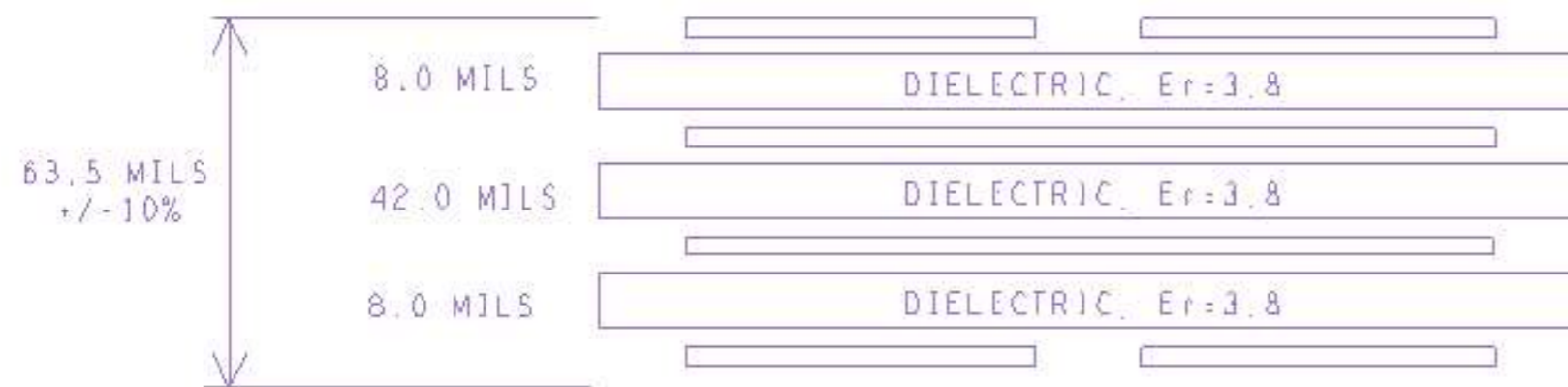
number of layers 4

board thickness 1.6mm

- 1) cs - signal
- 2) plan - gnd
- 3) plan - power
- 4) ps - signal

04

4 LAYERS CROSS SECTION
AND FILM SET

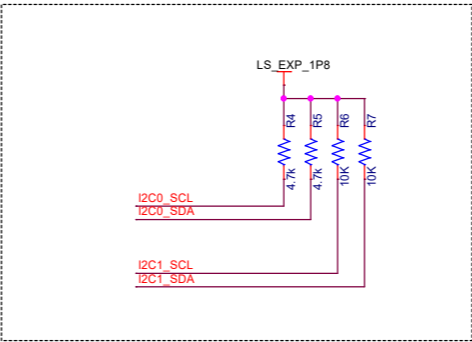


- 1. 0.5 OZ. CU. TOP
- 2. 1.0 OZ. CU. GND
- 3. 1.0 OZ. CU. PWR
- 4. 0.5 OZ. CU. BOTTOM

Z0=50 OHM +/- 5% WIDTH=15
Zdiff=90 +/- 5% WIDTH=11.1

RECOMMENDED STACKUP. FINAL STACKUP TO BE DETERMINED BY VENDOR

Shiratech Solutions	Stack Up		
	SRT-96B-MEZ-CAT1-BG96		
Drawn By Ishay Kokavka	Size A3	CAGE Code <Cage Code>	DWG NO A
Sunday, September 30, 2018	Scale	Sheet 4 of 8	Rev A



LS EXPANSION CONNECTOR

HS EXPANSION CONNECTOR

from qualcom board

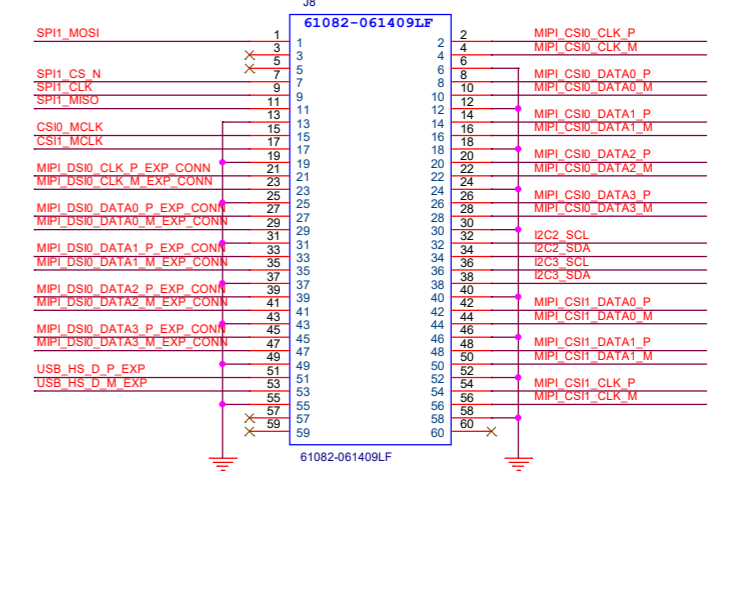
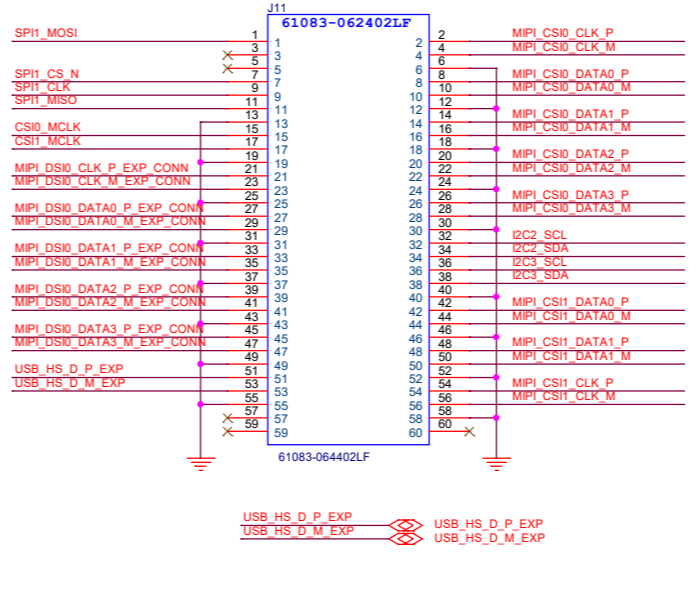
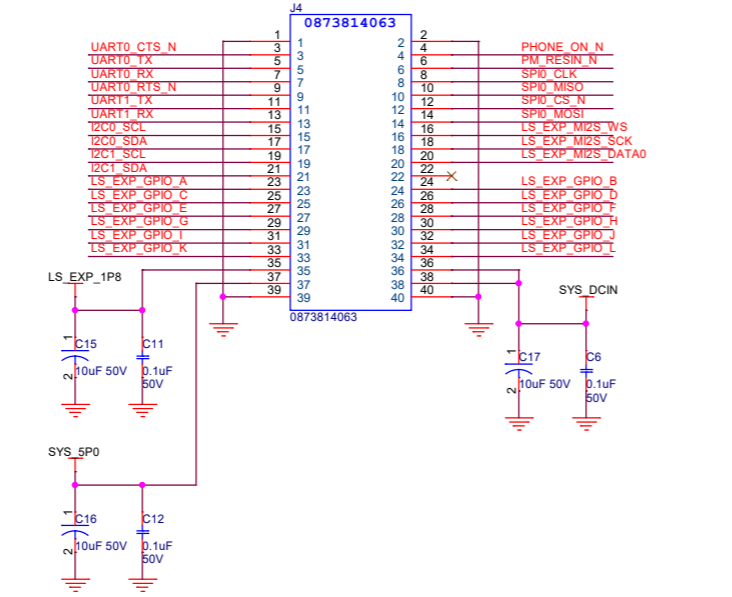
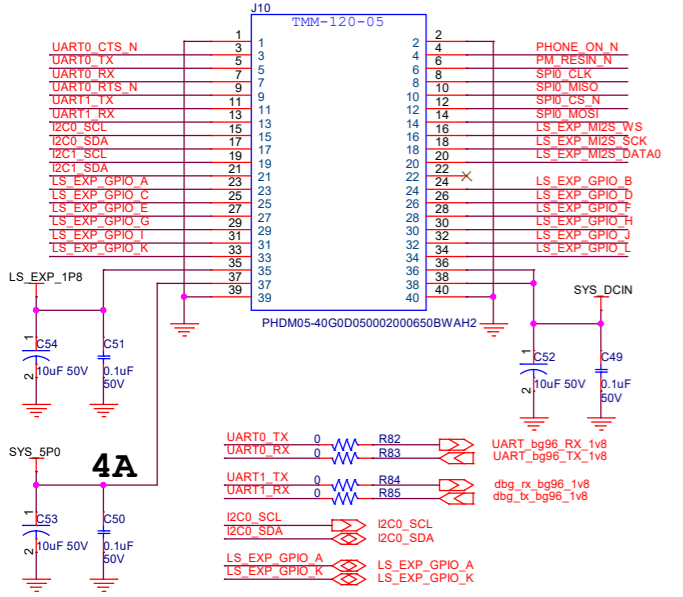
to next balcony

from qualcom board

to next balcony

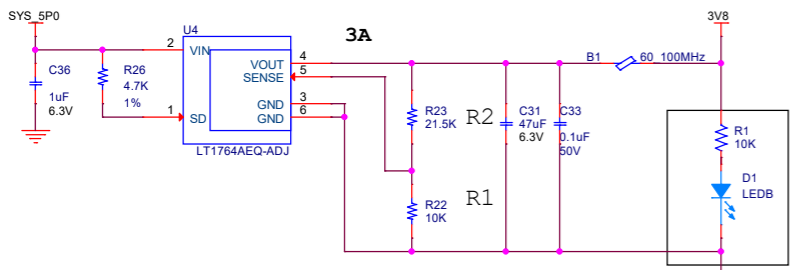
male connector (ps)

female connector (cs)

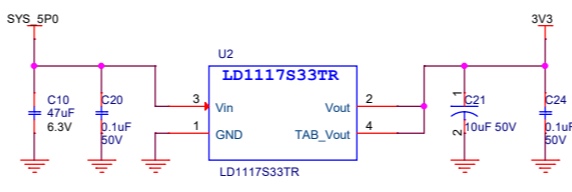


3.8V (2A Peak)

3V3-REG - 0.8A

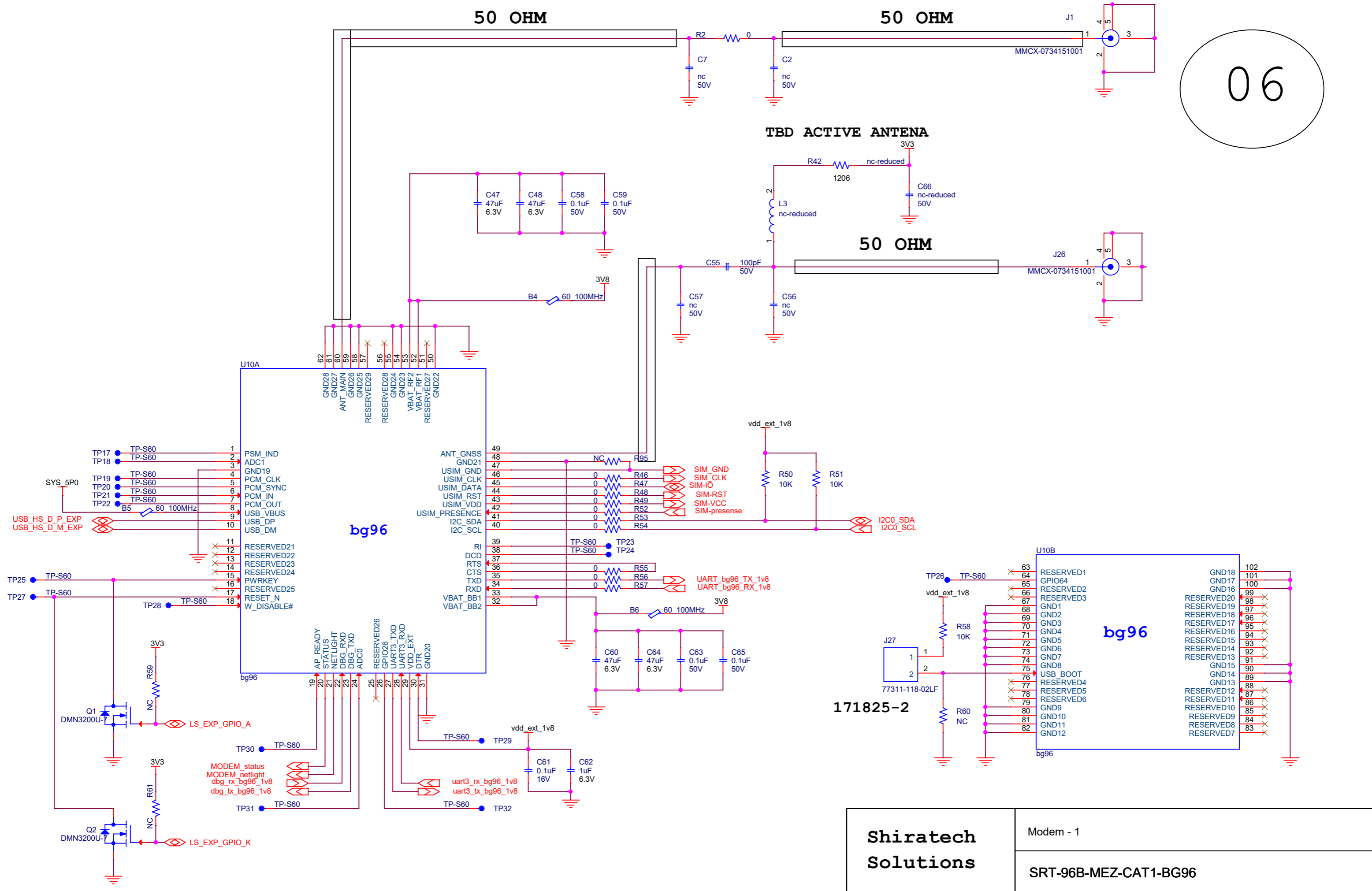


$V_{out} = 1.21(1+R2/R1)$

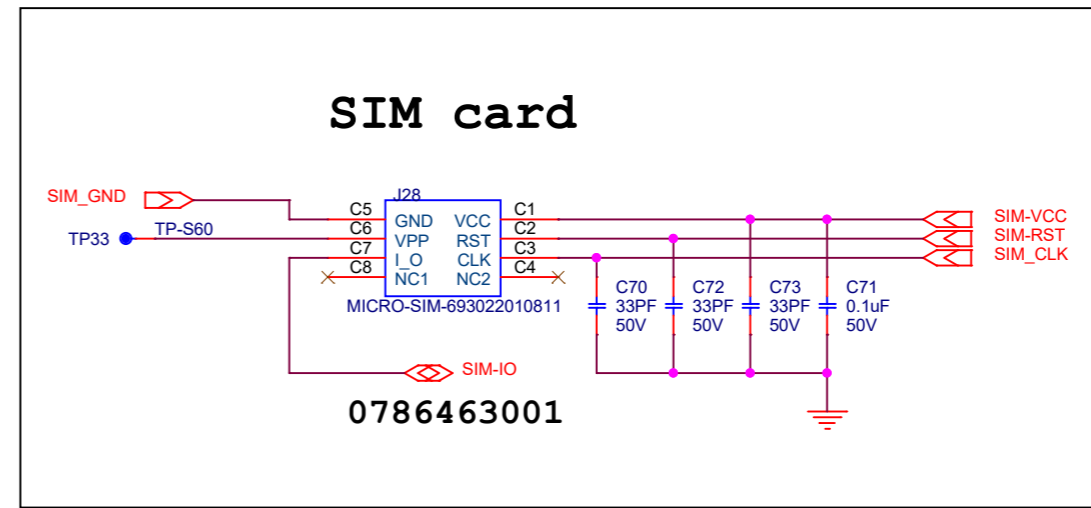
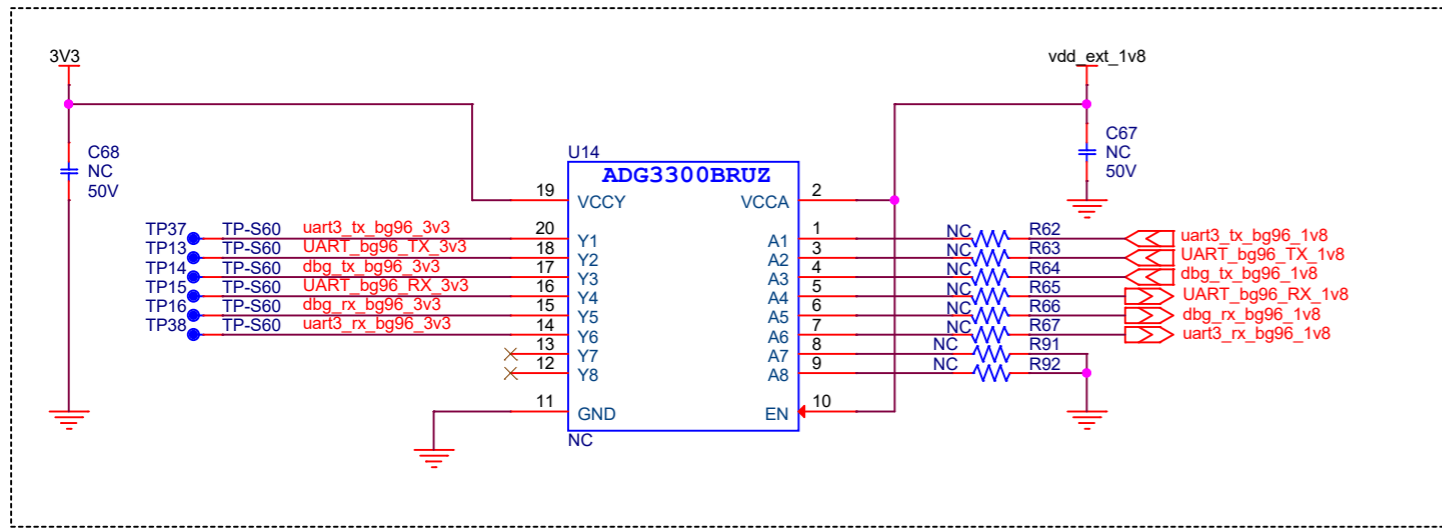


Shiratech Solutions	Interface_in_out			
	SRT-96B-MEZ-Bosch			
Drawn By Ishay Kokavka	Size A2	CAGE Code <Cage Code>	DWG NO A	Rev A
Sunday, July 22, 2018	Scale		Sheet 5 of 8	

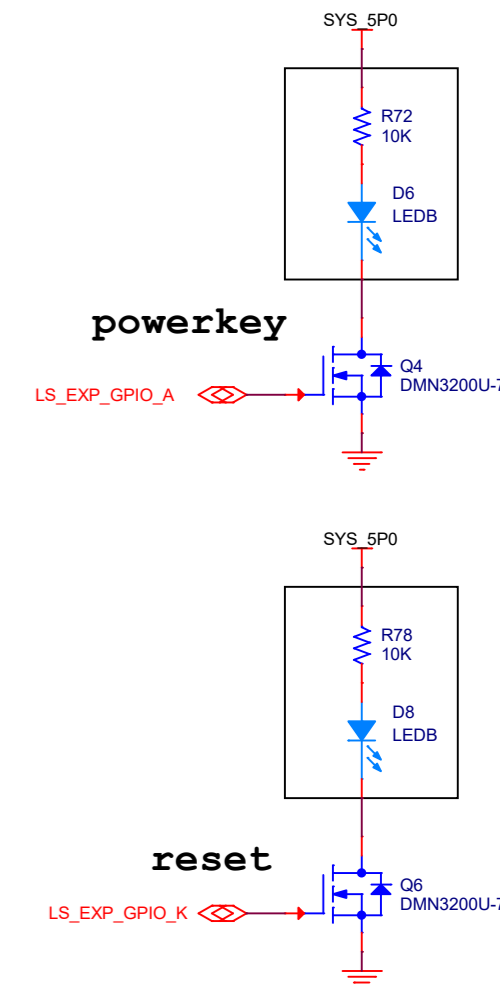
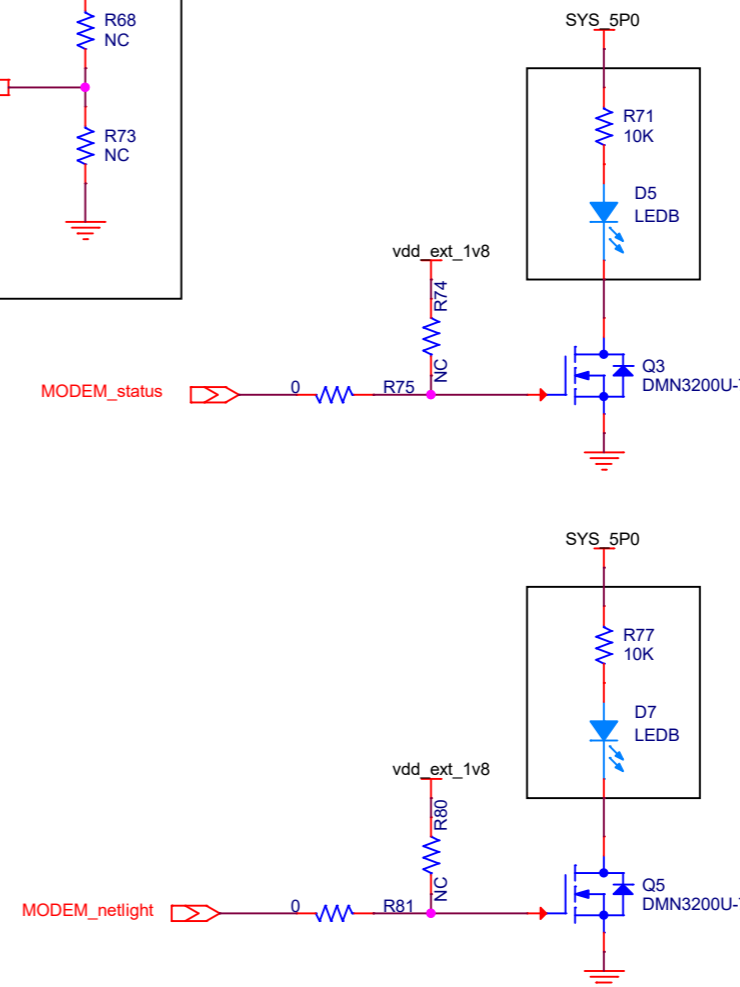
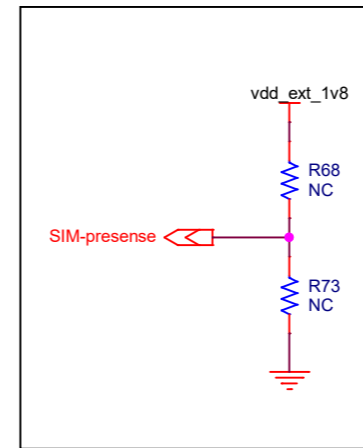
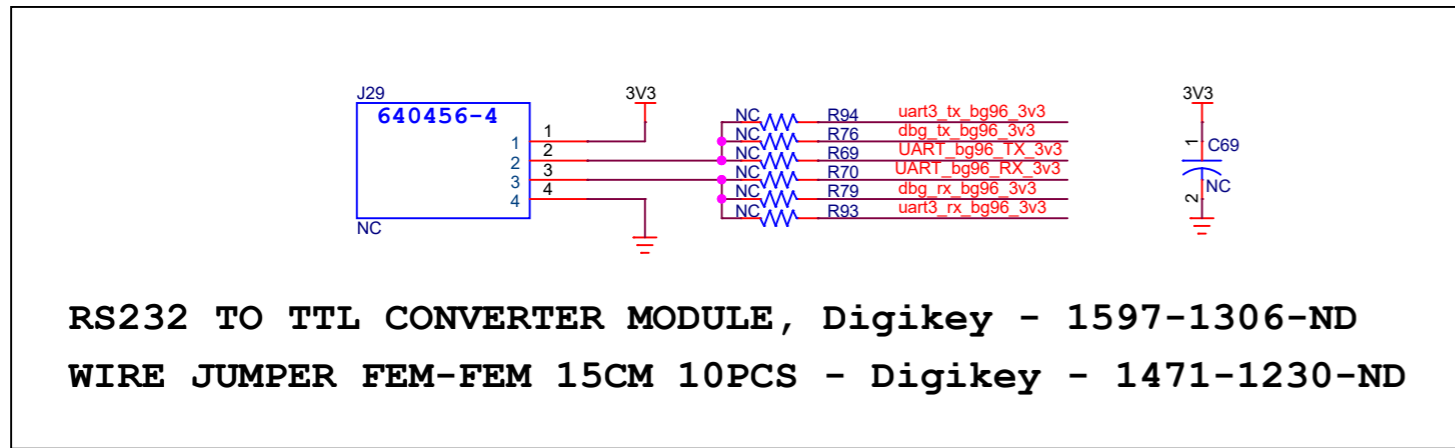
06



Shiratech Solutions	Modem - 1		
	SRT-96B-MEZ-CAT1-BG96		
Drawn By Ishay Kokavka	Size A3	CAGE Code <Cage Code>	DWG NO A
Sunday, July 22, 2018	Scale	Sheet 6 of 8	Rev A



07



Shiratech Solutions	Modem - 2			
	SRT-96B-MEZ-CAT1-BG96			
Drawn By Ishay Kokavka	Size A3	CAGE Code <Cage Code>	DWG NO A	Rev A
Sunday, July 22, 2018	Scale	Sheet 7 of 8		

LEFT FOR MISC AND FUTURE REMARKS

08

Shiratech Solutions	MISC			
	SRT-96B-MEZ-CAT1-BG96			
Drawn By Ishay Kokavka	Size A3	CAGE Code <Cage Code>	DWG NO A	Rev A
Sunday, September 30, 2018	Scale		Sheet	8 of 8