

Schematics	Revision	Date	Release Information
SRT-PCB-ARIS-NBIOT-R1	A	mar 25 2018	first version release

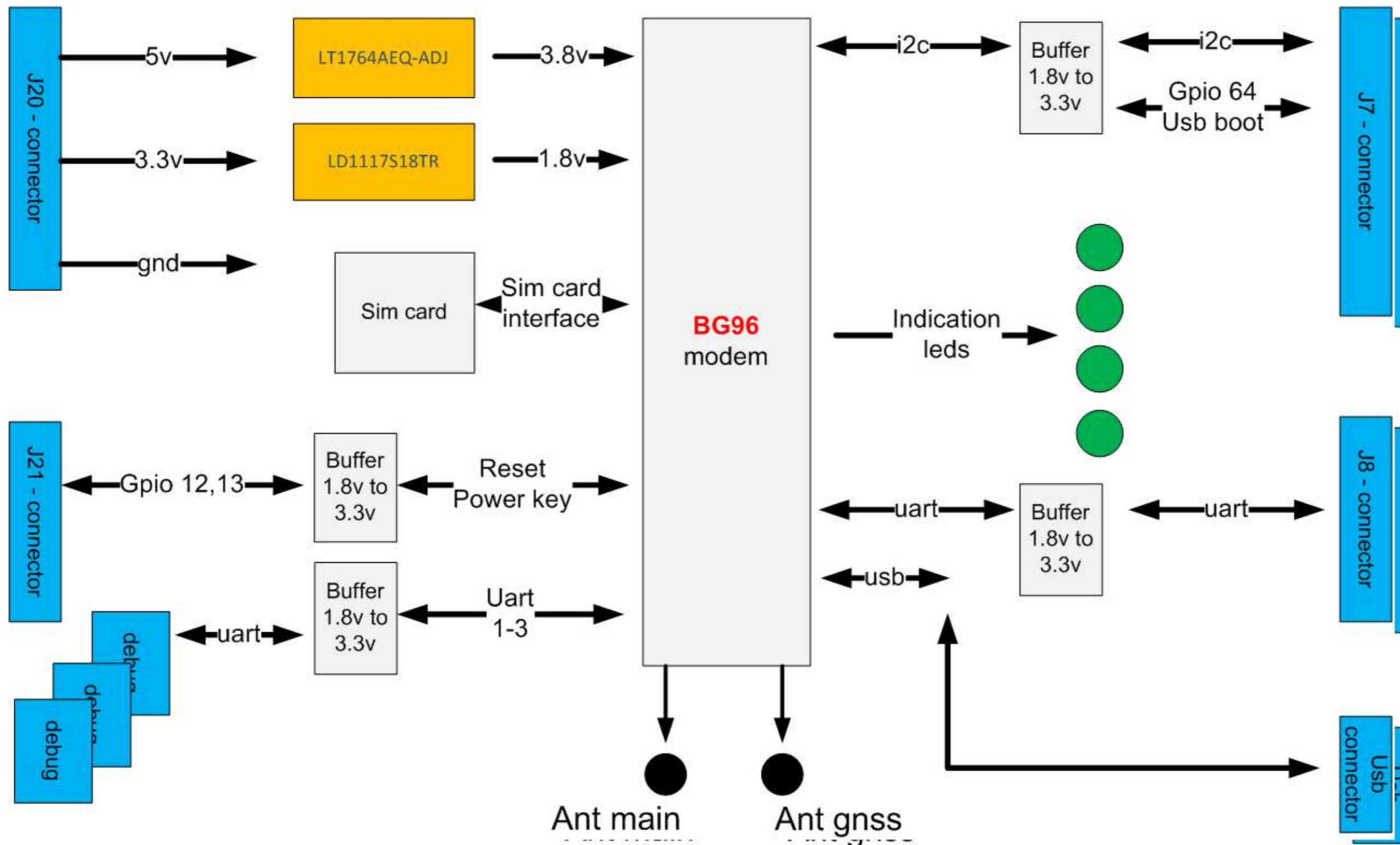
01

- 01** Revision History
- 02** Block Diagram
- 03** DXF
- 04** Stuck Up
- 05** Interafce
- 06** power
- 07** MODEM - 1
- 08** MODEM - 2

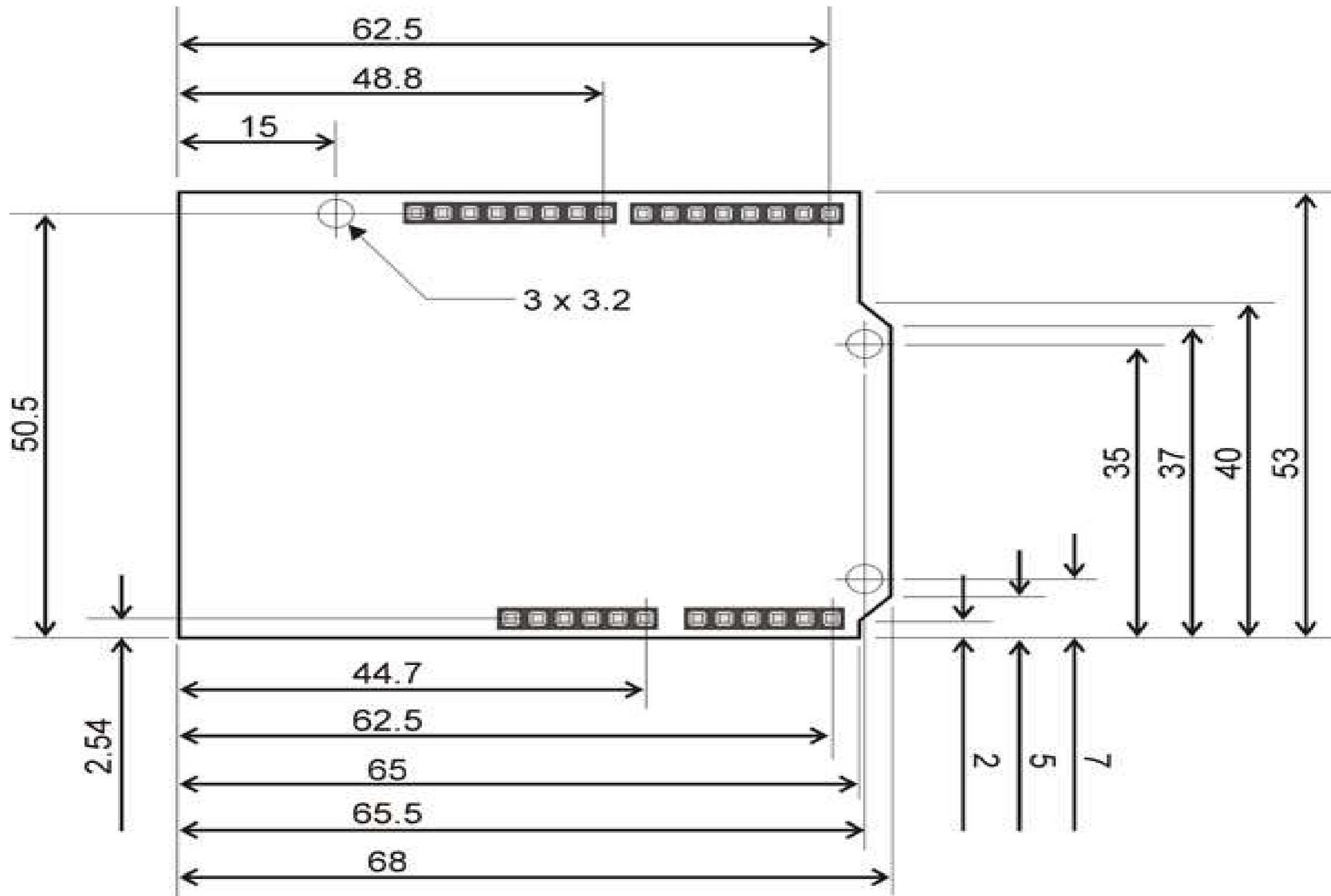
Shiratech Solutions	Revision History			
	SRT-PCB-ARIS-NBIOT-R1			
Drawn By Ishay Kokavka	Size A3	CAGE Code <Cage Code>	DWG NO A	Rev A
Wednesday, October 03, 2018	Scale		Sheet	1 of 8

SRT-PCB-ARIS-NBIOT

02



Shiratech Solutions	Block Diagram		
	SRT-PCB-ARIS-NBIOT-R1		
Drawn By Ishay Kokavka	Size A3	CAGE Code <Cage Code>	DWG NO A
Wednesday, October 03, 2018	Scale	Sheet 2 of 8	Rev A



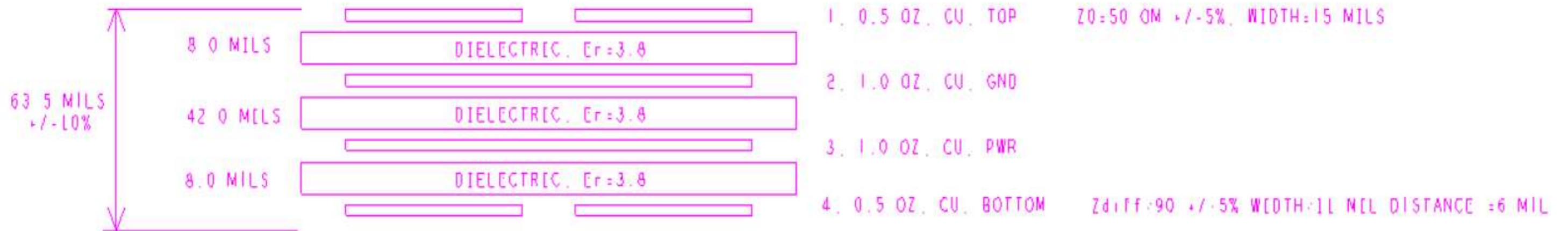
Shiratech Solutions	idk-lte-shield		
	SRT-PCB-ARIS-NBIOT-R1		
Drawn By Ishay Kokavka	Size A3	CAGE Code <Cage Code>	DWG NO A
Wednesday, October 03, 2018	Scale	Sheet 3 of 8	Rev A

number of layers 4
 rf on top 50ohm (for 15mil)
 board thickness 1.6mm

04

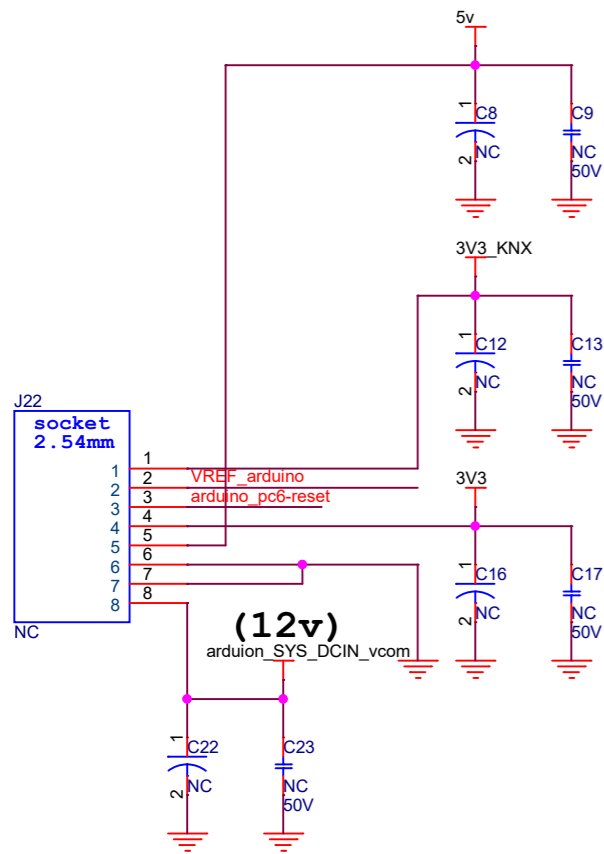
- 1) cs - signal
- 2) plan - gnd
- 3) plan - power
- 4) ps - signal

4 LAYERS CROSS SECTION
 AND FILM SET

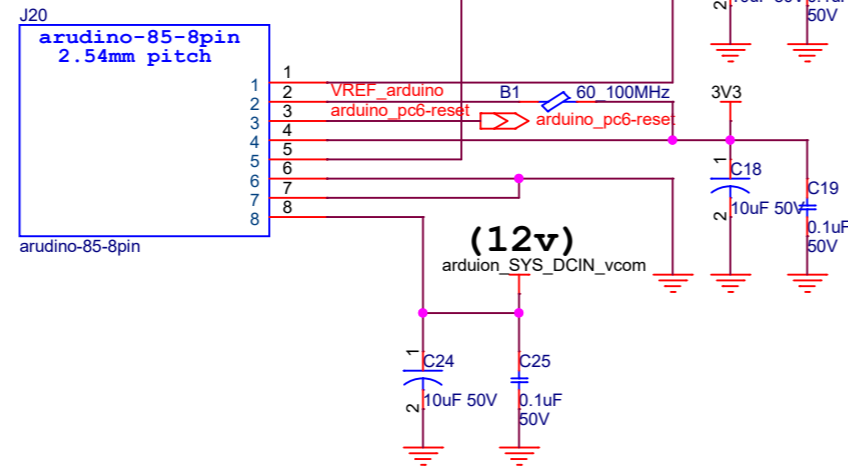


RECOMMENDED: STACKUP, FINAL STACKUP TO BE DETERMINED BY VENDOR

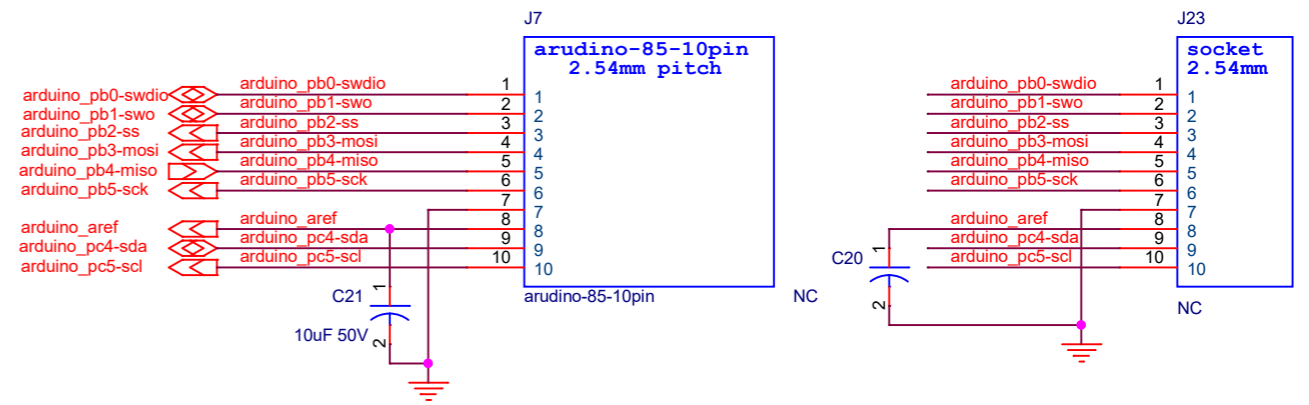
Shiratech Solutions	Stuck Up		
	SRT-PCB-ARIS-NBIOT-R1		
Drawn By Ishay Kokavka	Size A3	CAGE Code <Cage Code>	DWG NO A
Wednesday, October 03, 2018	Scale	Sheet 4 of 8	Rev A



power

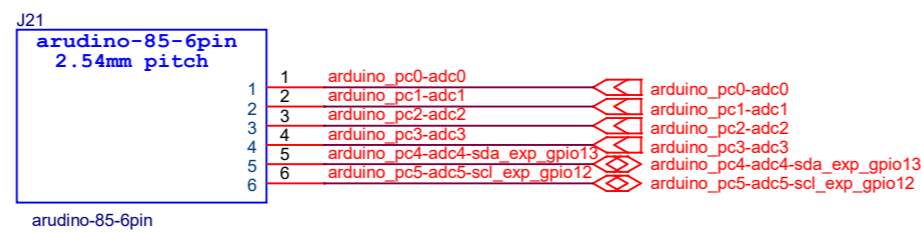
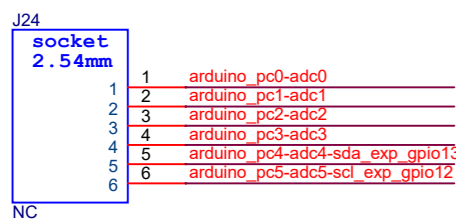


digital i/o 1

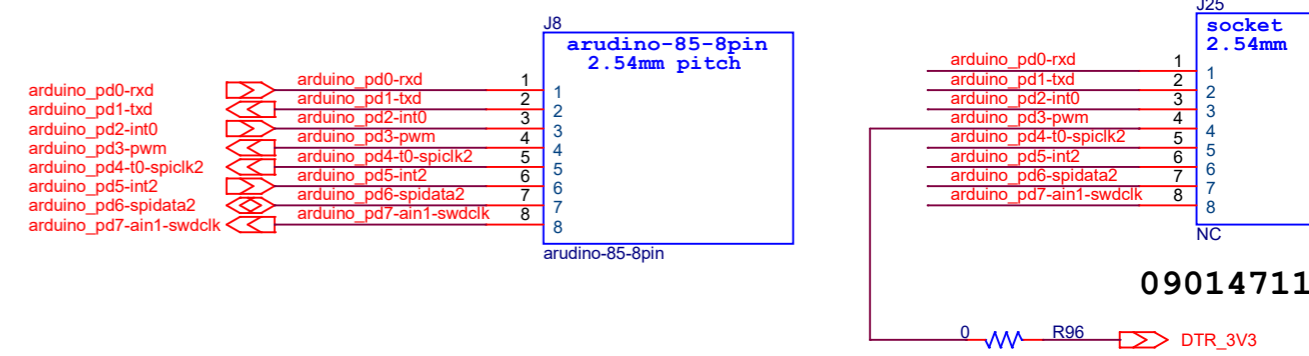


from bb-gevk board

analog

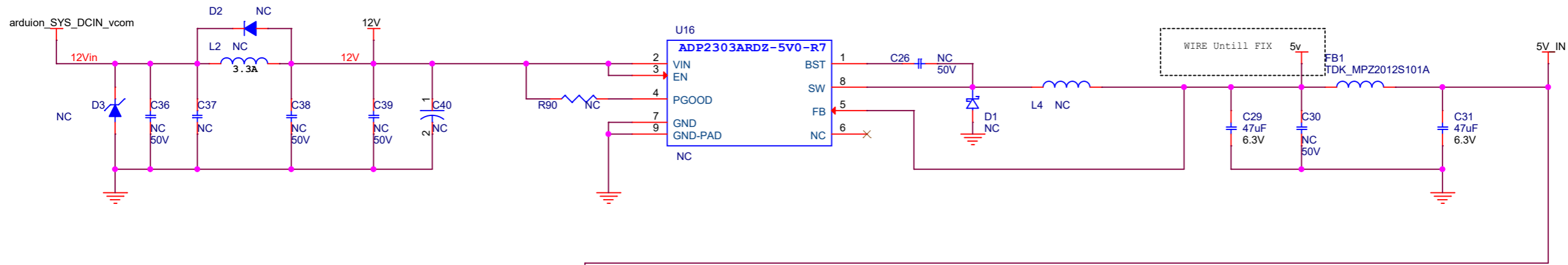


digital i/o 2

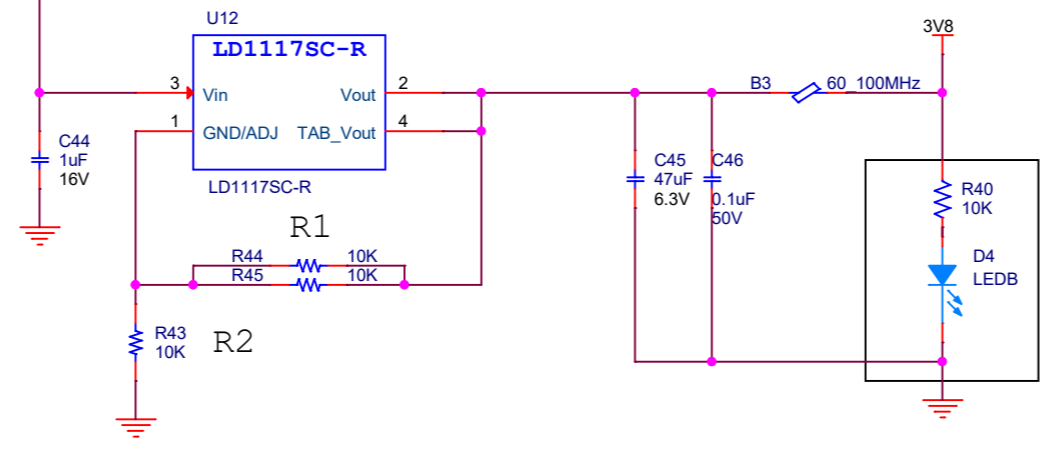


0901471108

Shiratech Solutions	Interafce_in_out			
	SRT-PCB-ARIS-NBIOT-R1			
Drawn By Ishay Kokavka	Size A3	CAGE Code <Cage Code>	DWG NO A	Rev A
Wednesday, October 03, 2018	Scale	Sheet		5 of 8

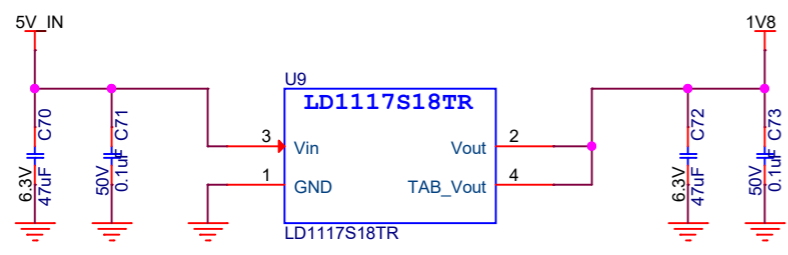


3.8V (MAX 0.8A)



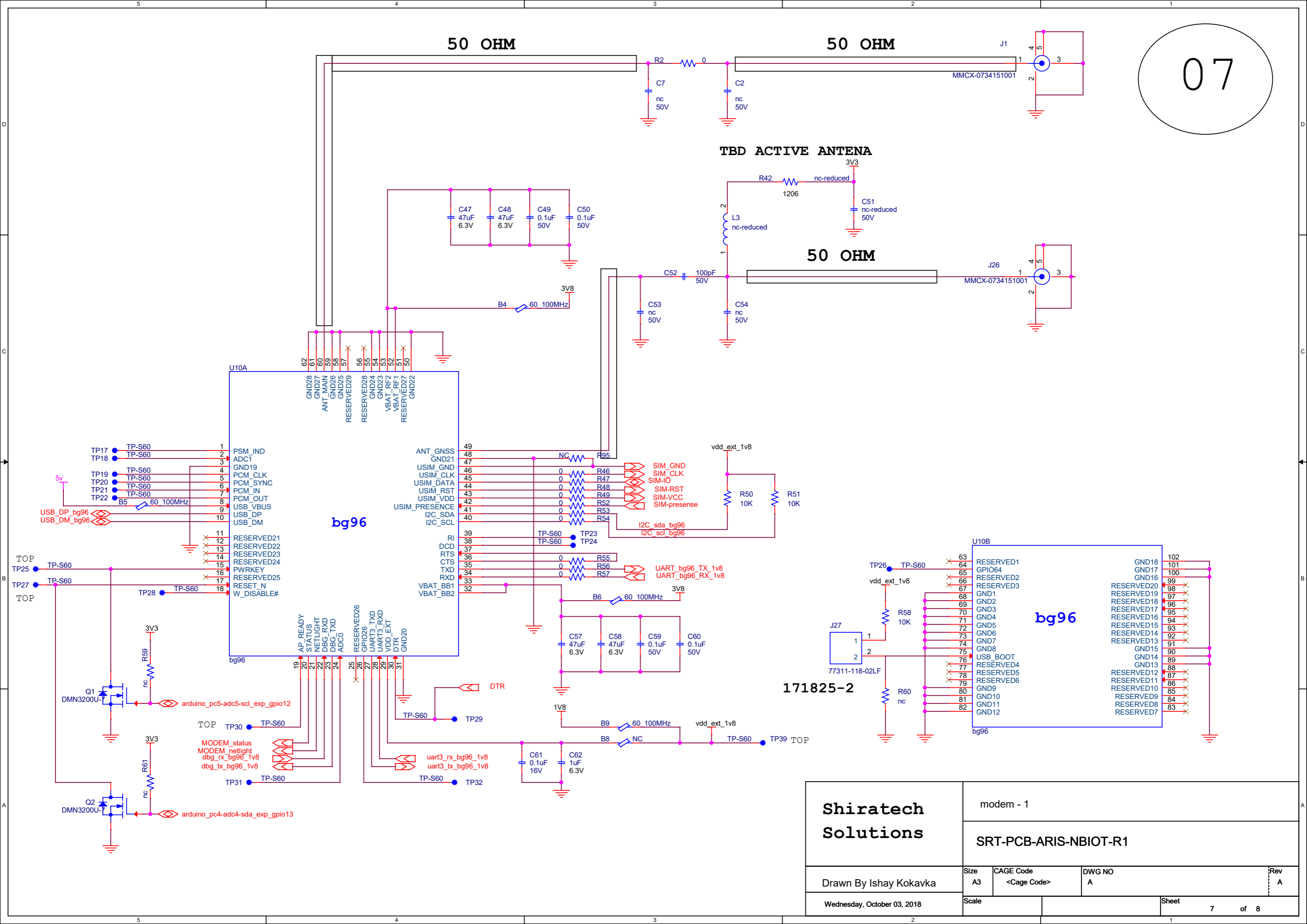
$V_{out} = 1.25(1+R2/R1)$

1V8-REG - 0.8A

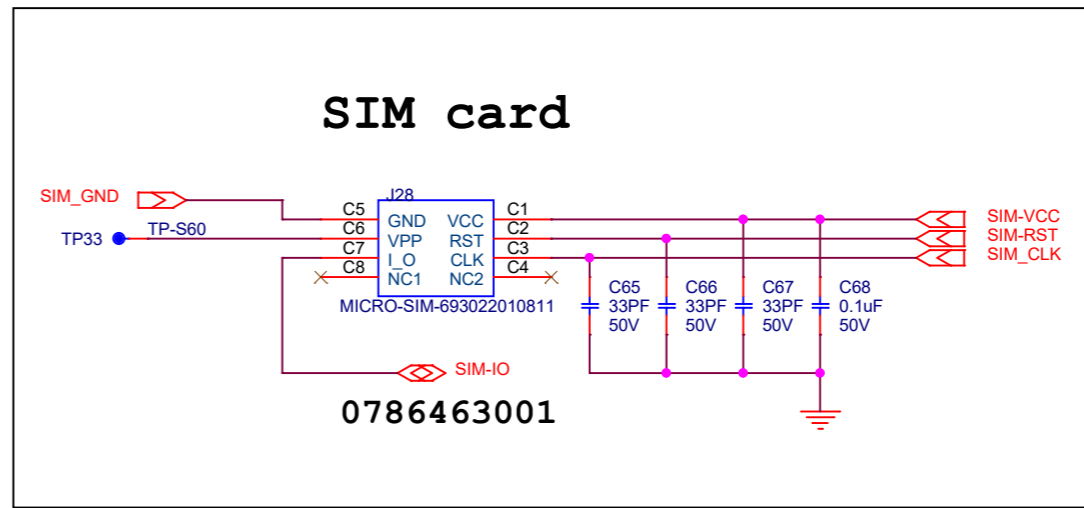
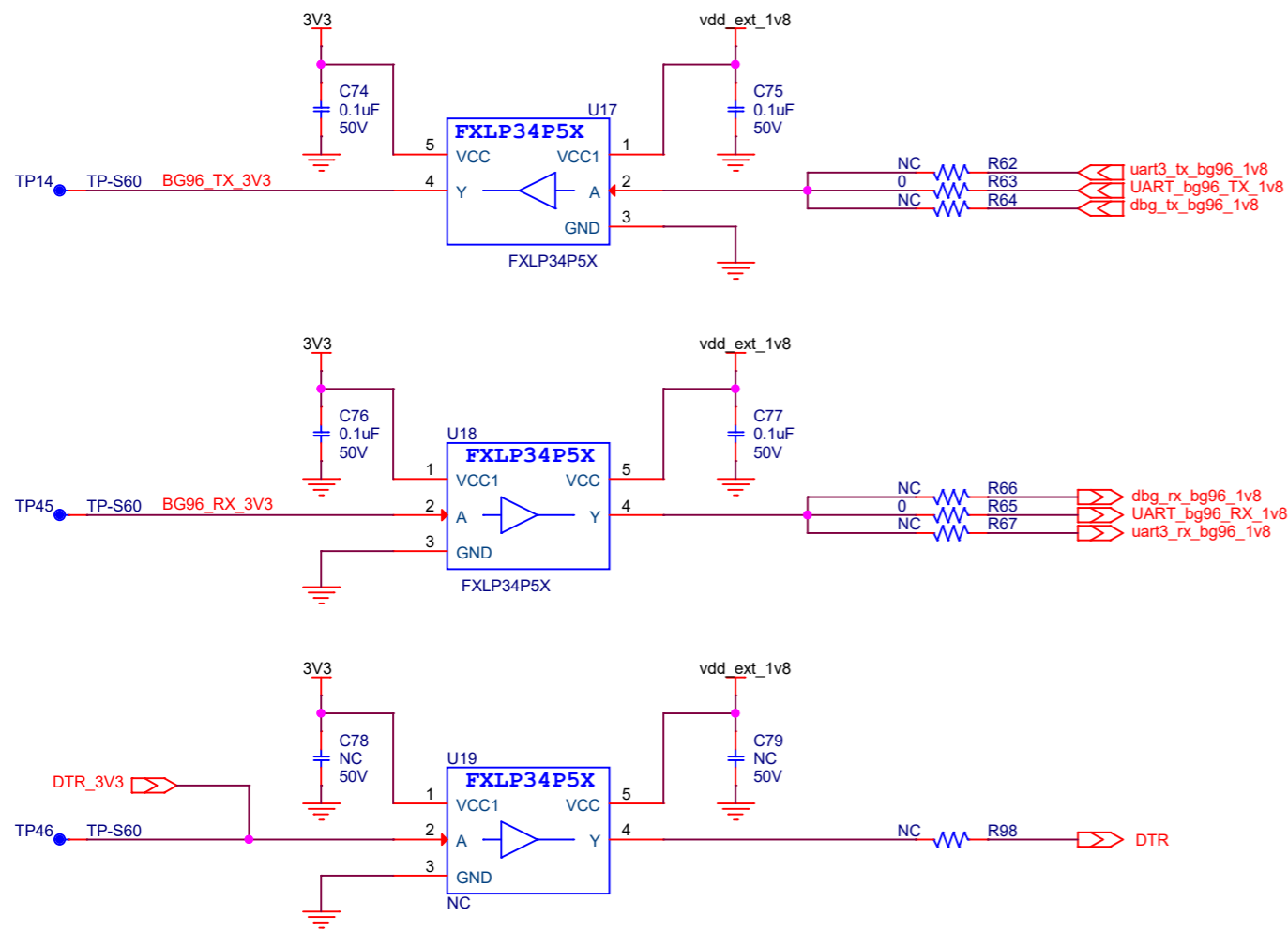


Shiratech Solutions	power		
	SRT-PCB-ARIS-NBIOT-R1		
Drawn By Ishay Kokavka	Size A3	CAGE Code <Cage Code>	DWG NO A
Thursday, October 18, 2018	Scale	Sheet 6 of 8	Rev A

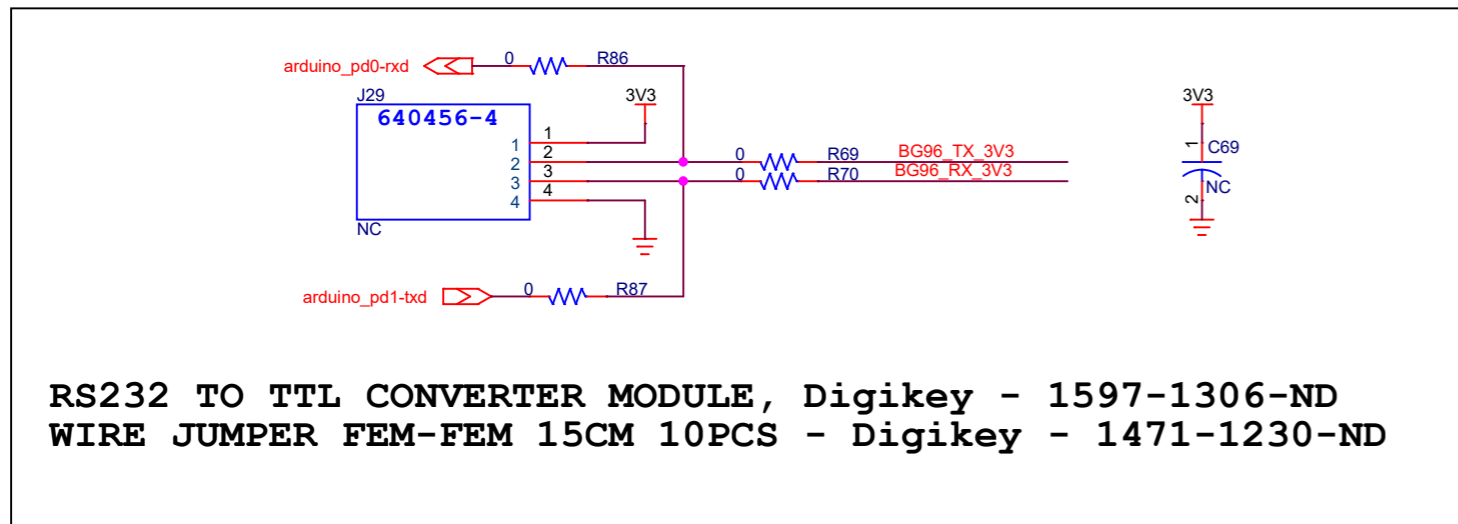
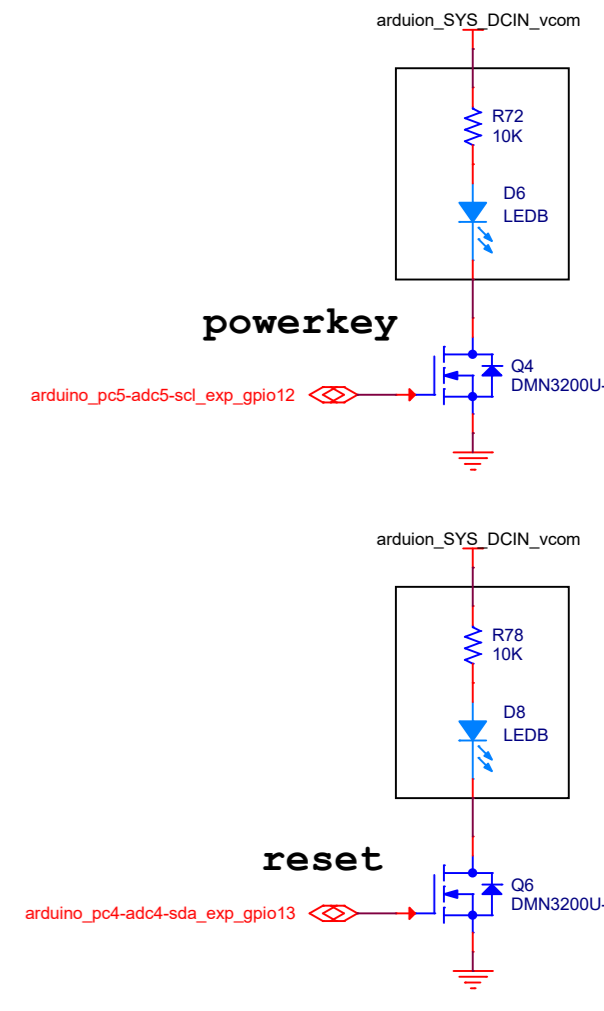
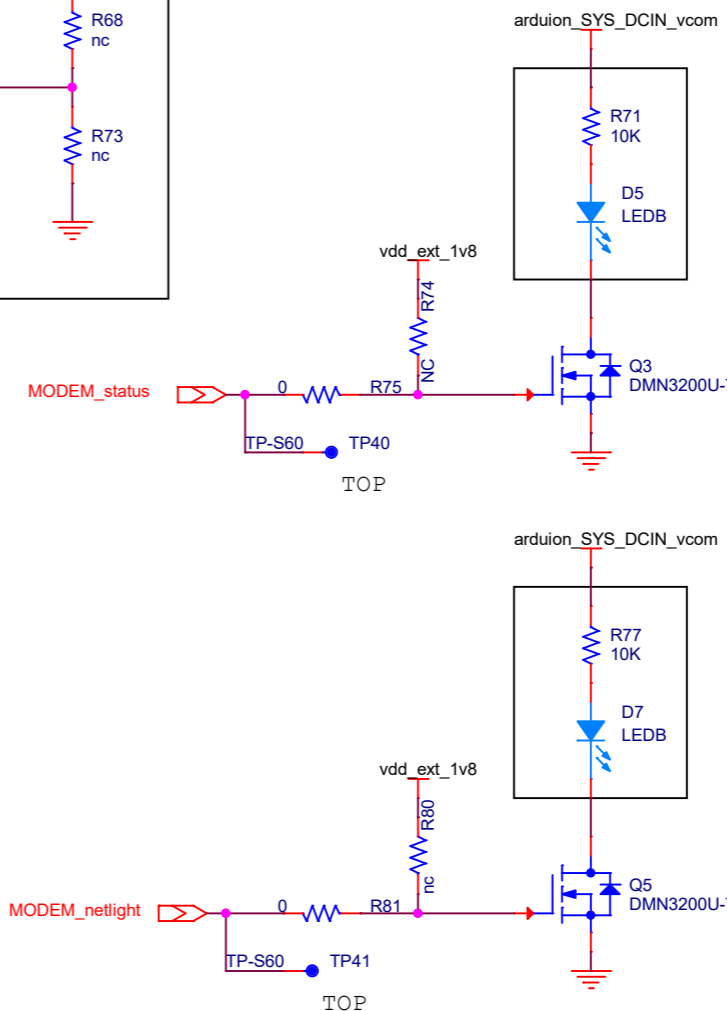
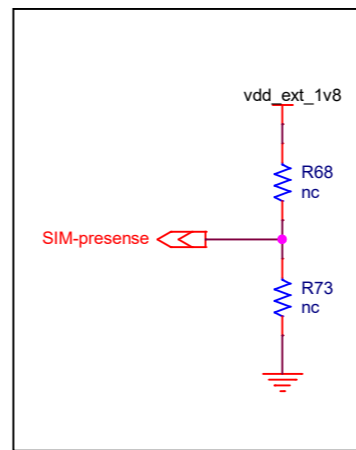
07



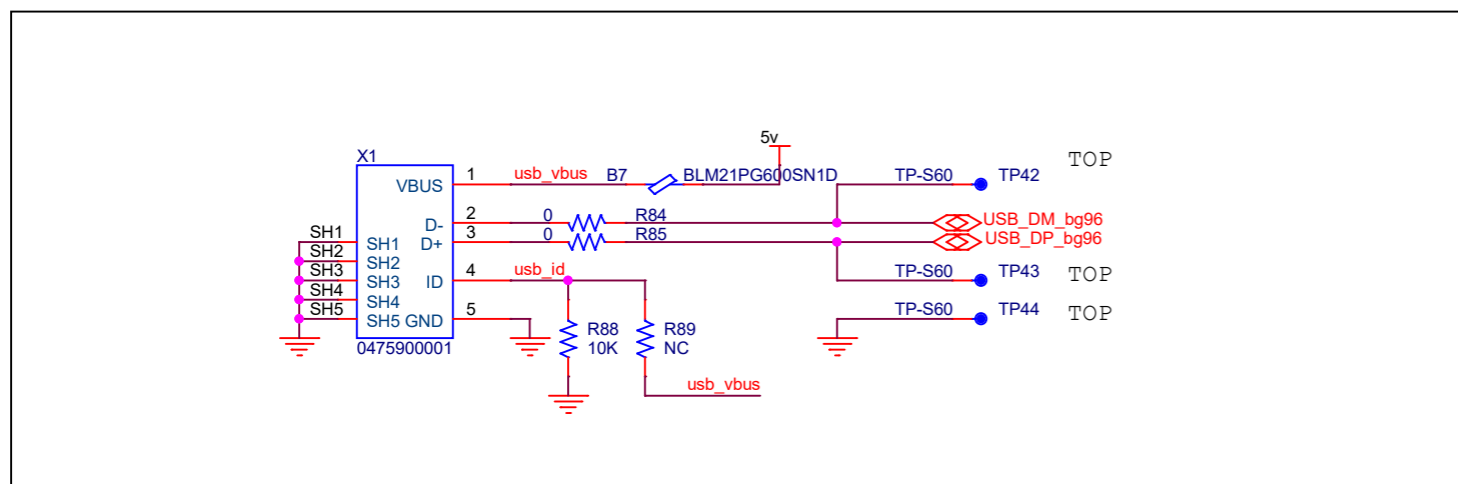
Shiratech Solutions	modem - 1		
	SRT-PCB-ARIS-NBIOT-R1		
Drawn By Ishay Kokavka	Size A3	CAGE Code <Cage Code>	DWG NO A
Wednesday, October 03, 2018	Scale	Sheet 7 of 8	Rev A



08



RS232 TO TTL CONVERTER MODULE, Digikey - 1597-1306-ND
 WIRE JUMPER FEM-FEM 15CM 10PCS - Digikey - 1471-1230-ND



Shiratech Solutions	modem - 2		
	SRT-PCB-ARIS-NBIOT-R1		
Drawn By Ishay Kokavka	Size A3	CAGE Code <Cage Code>	DWG NO A
Thursday, October 18, 2018	Scale	Sheet 8 of 8	Rev A